



TANK TYPE Complex PMD	MOUNT Bosses	LOCATION Polar	PMD DEVICE Vane, Trap Screen, Sponge
---------------------------------	------------------------	--------------------------	---

This is a 35-inch spherical pressure vessel constructed of 6AL-4V titanium. Fuel expulsion is provided by a complex propellant management device (PMD) fabricated to provide expulsion capability with low or zero gravity conditions. Mounting is by polar bosses.

ATK Part Number 80350-1

SIZE: 35-inch ID Sphere
SIZE: 889-mm

ISO 9001 & AS 9100 REGISTERED

APPLICABLE DOCUMENTS

Bubble Point Test Procedure	50-000364
Acceptance Test Procedure	50-000374
Qualification Test Procedure	50-000375
Fracture Toughness Test	50-000377
Processes List	54-000100
PMD Performance Analysis Rpt	54-000101
Applicable Documents List	54-000103
Materials List	54-000104
Age Process Elimination	54-000119
Pre-Assy Clean, Sponge Assy	54-000146
Weld Qualification Report	55-000072
Forging Qual Report, JN 8804	55-000069
Weld Qualification Report	55-000072
Materials Properties Test, JN 8804	55-000073
EB Weld Repair	55-000074
Fracture Analysis Plan	54-000097
QTR, Manifold, Perforated Sheet	56-000136
Qualification Test Report	56-000137
Protolight Test Report	56-000139
Cleaning	CPP 3677

TANK CHARACTERISTICS

Operating Pressure, psig	260	Total Volume, ci	22,450
Proof Pressure, psig	325	Prop Volume, ci	22,450
Cryo Proof, psig	No	Max Design Wt, lbs	28.9
Burst Pressure, psig	390	Minimum Wall, inch	0.023

TANK CHARACTERISTICS (Metrics)

Operating Pressure, Bar	17.93	Total Volume, l	367.89
Proof Pressure, Bar	22.41	Prop Volume, l	367.89
Cryo Proof, Bar	No	Max Design Wt, Kg	13.11
Burst Pressure, Bar	26.89	Minimum Wall, MM	0.584

FORGINGS

FGGS P/N
80-350061-1 (2)

TUBE TYPE AND SIZE

TITANIUM	SIZE
80-350020-5, Inlet	.250 OD x .018 Wall
80-350150-5, Outlet	.375 OD x .018 Wall

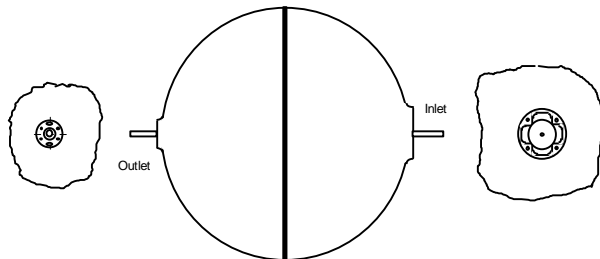
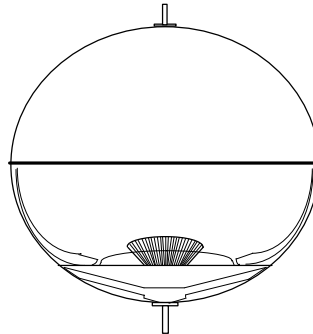
TUBE TYPE AND SIZE (Metrics)

TITANIUM	SIZE
80-350020-5, Inlet	6.35 OD x .457 Wall
80-350150-5, Outlet	9.52 OD x .457 Wall

Notes:

- 1: Tooling owned by ATK
- 2: Acceptance Sine is dry
- 3: Fracture Critical

P/N 80350



6033 East Bandini Boulevard
Commerce, California 90040

Telephone (323) 722-0222
Facsimile (323) 721-6002

14-May-99

80415 ICD

