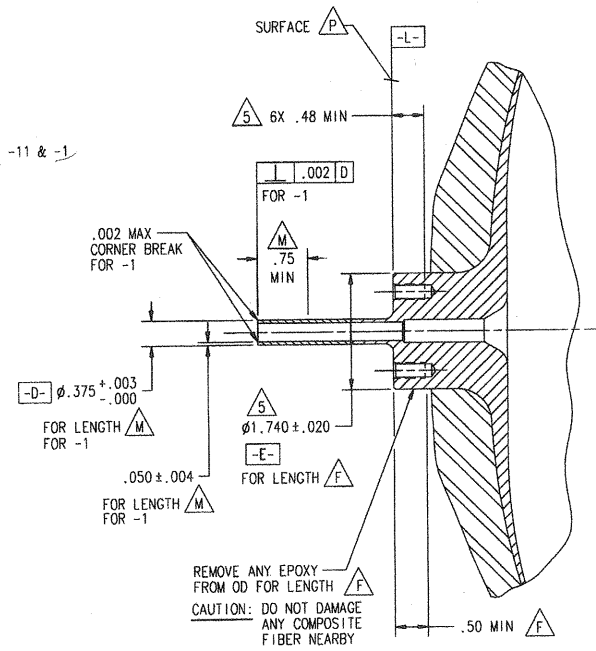
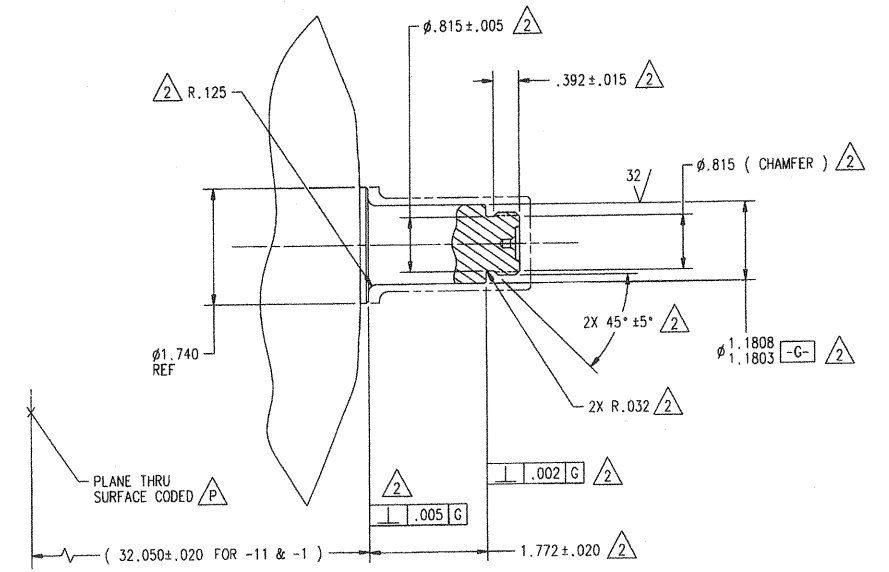


VIEW A-A
SCALE: 1/1

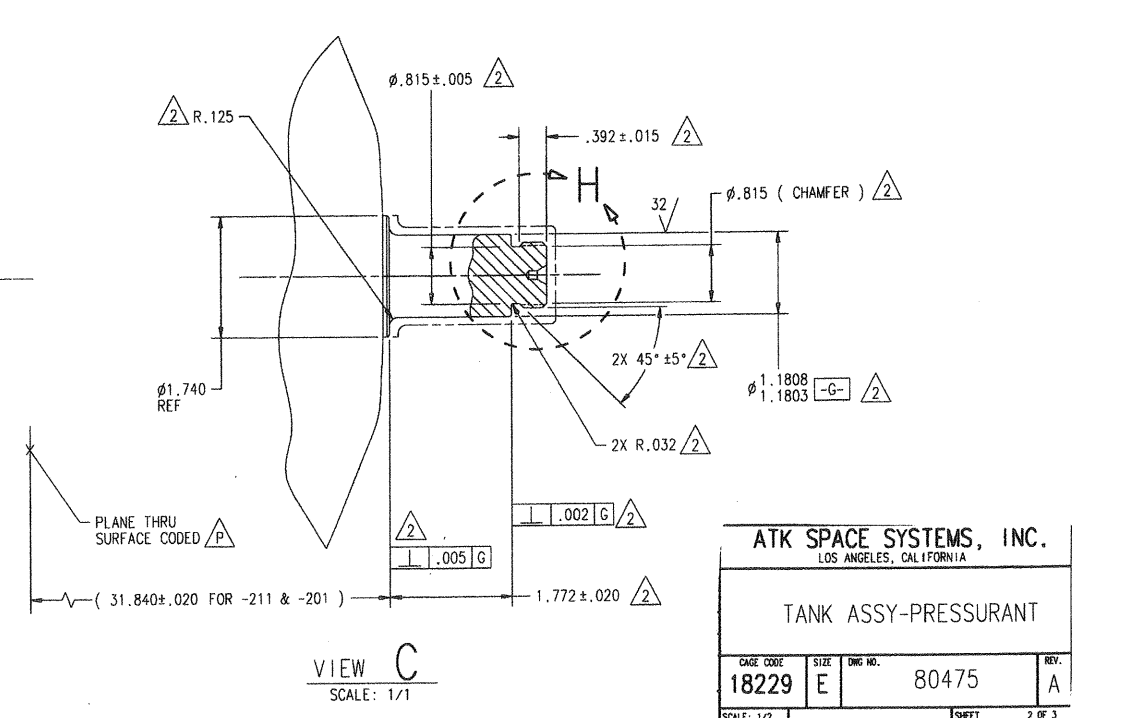
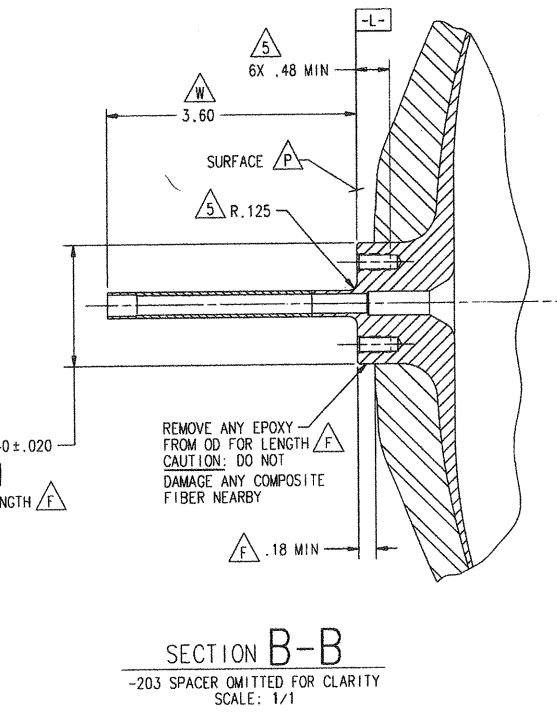
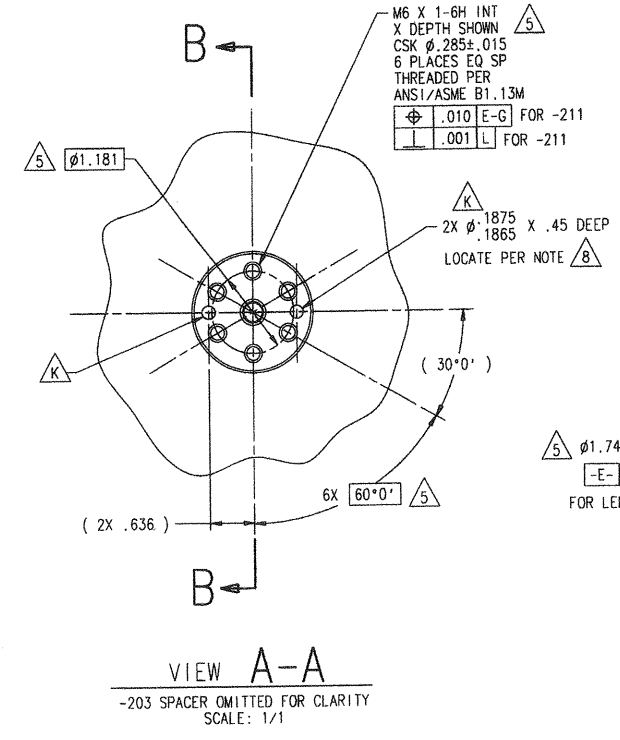
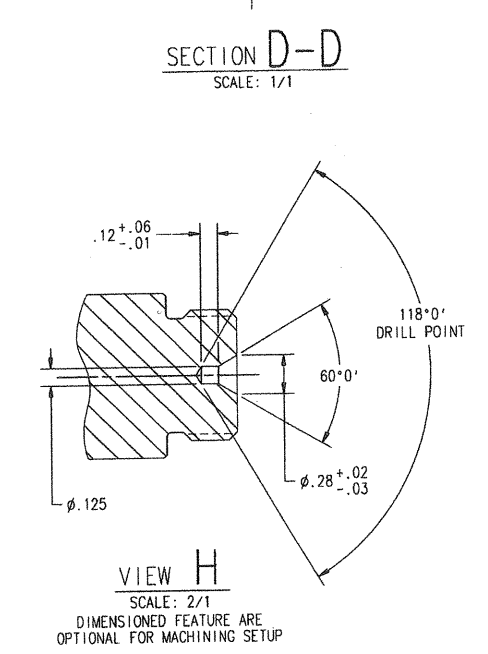
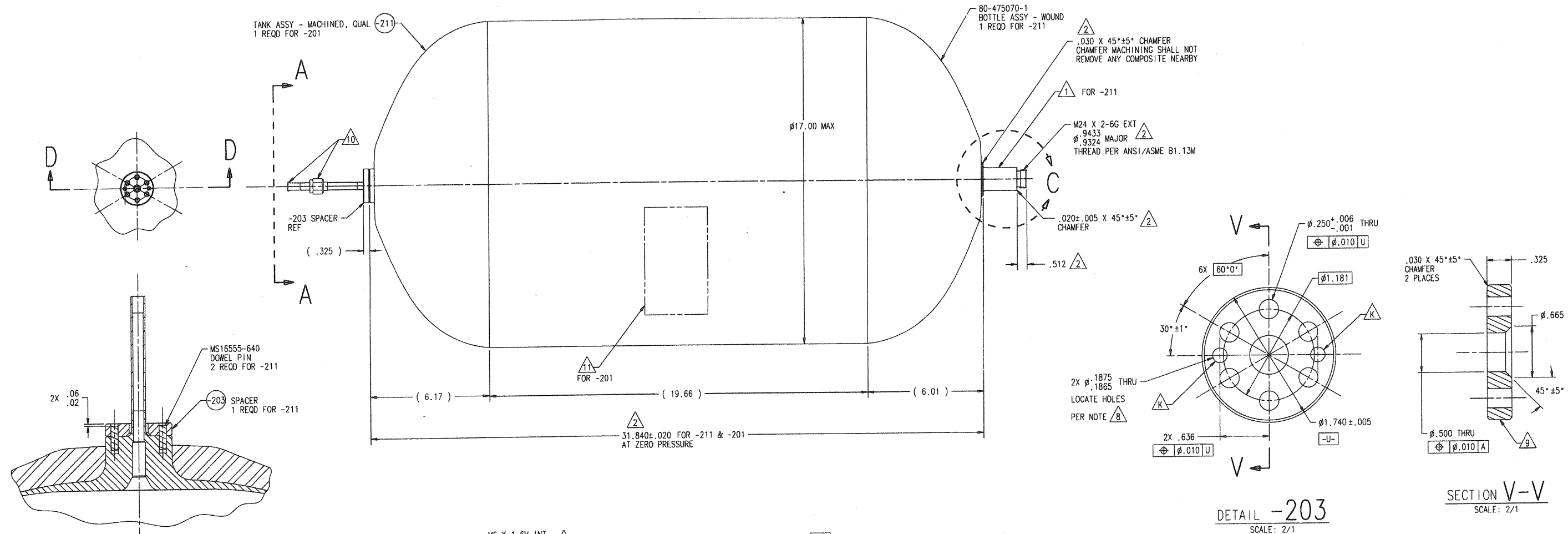


SECTION B-B
SCALE: 1/1

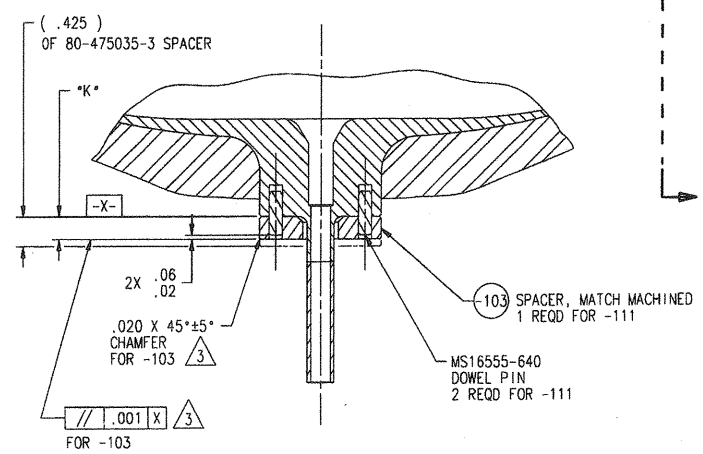


VIEW C
SCALE: 1/1

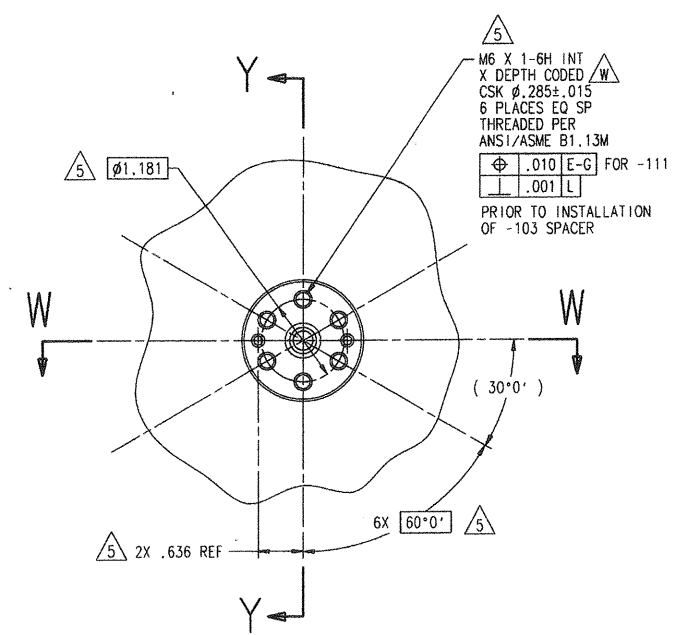
ATK SPACE SYSTEMS, INC. LOS ANGELES, CALIFORNIA			
TANK ASSY-PRESSURANT			
DATE CODE	SIZE	DRG NO.	REV.
18229	E	80475	D
SCALE: 1/2	SHEET		1 OF 3



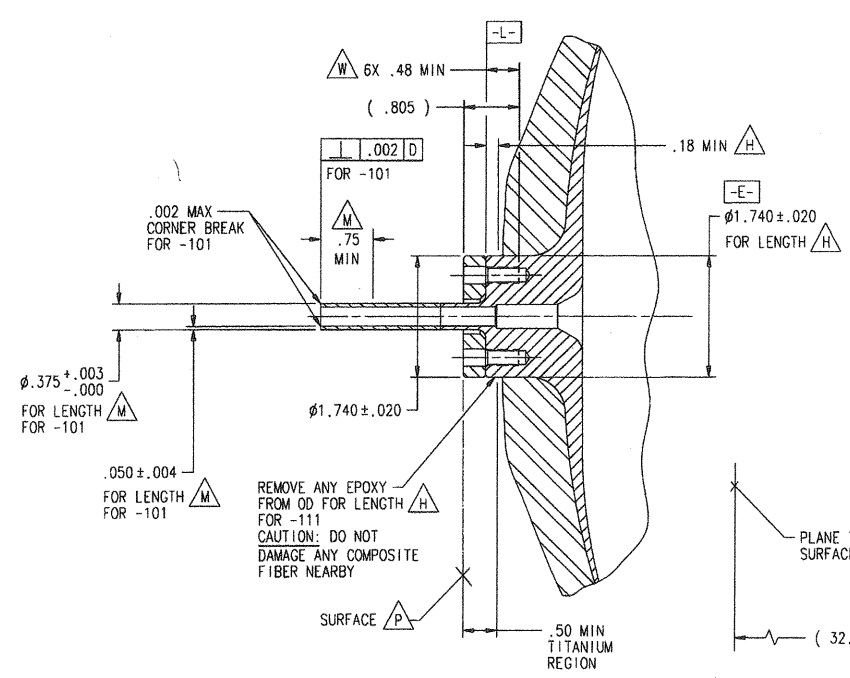
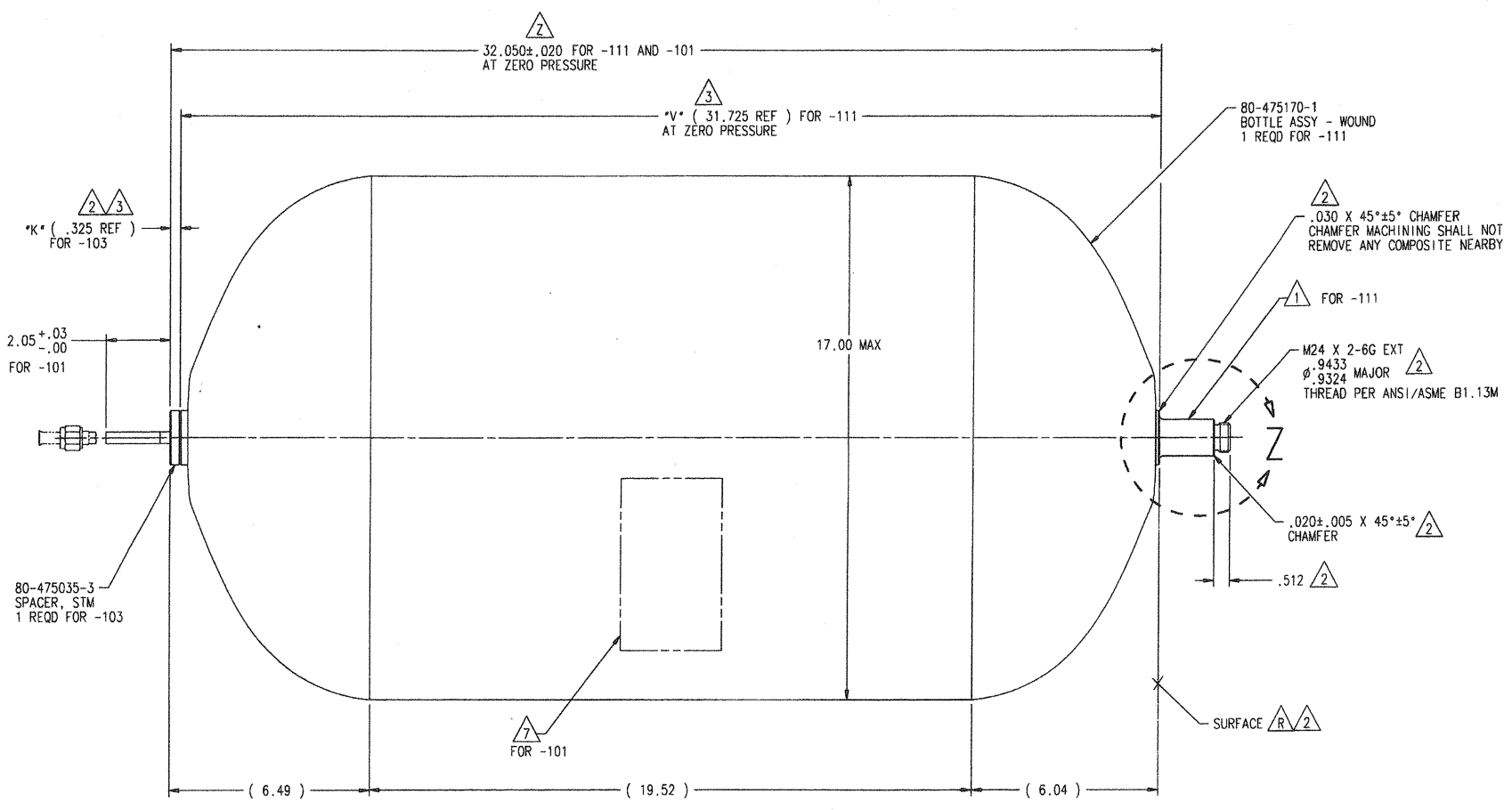
ATK SPACE SYSTEMS, INC. LOS ANGELES, CALIFORNIA			
TANK ASSY-PRESSURANT			
CAGE CODE 18229	SIZE E	DWG NO. 80475	REV. A
SCALE: 1/2		SHEET 2 OF 3	



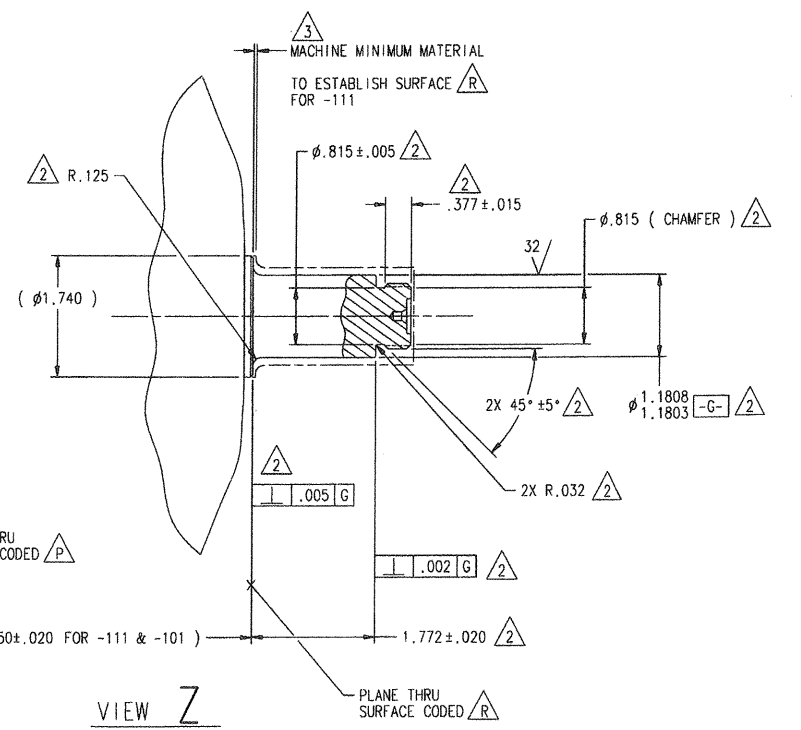
SECTION W-W
SCALE: 1/1



VIEW X-X
SCALE: 1/1



SECTION Y-Y
SCALE: 1/1



VIEW Z
SCALE: 1/1

ATK SPACE SYSTEMS, INC.
LOS ANGELES, CALIFORNIA

TANK ASSY-PRESSURANT

DATE CODE	SIZE	ENG NO.	REV.
18229	E	80475	B
SCALE: 1/2		SHEET 3 OF 3	