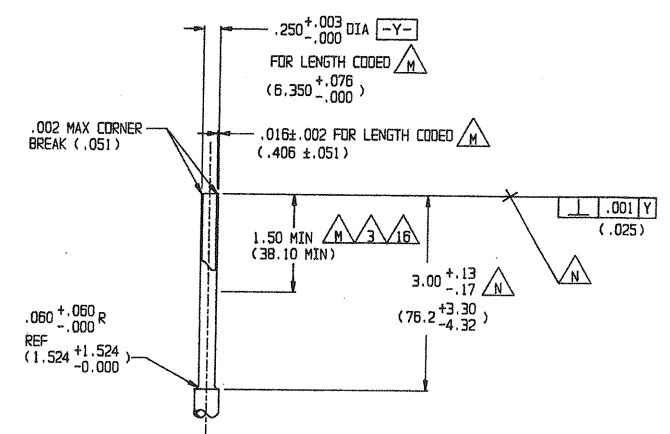


VIEW D-D SHEET 1



VIEW W FOR -1
SCALE 1/1

PRESSURE SYSTEMS, INC. LOS ANGELES, CALIFORNIA			
TANK, PROPELLANT			
CASE CODE 10229	SIZE E	ING NO. 80382	REV. NC
SCALE: 1/2	SHEET		2 OF 2