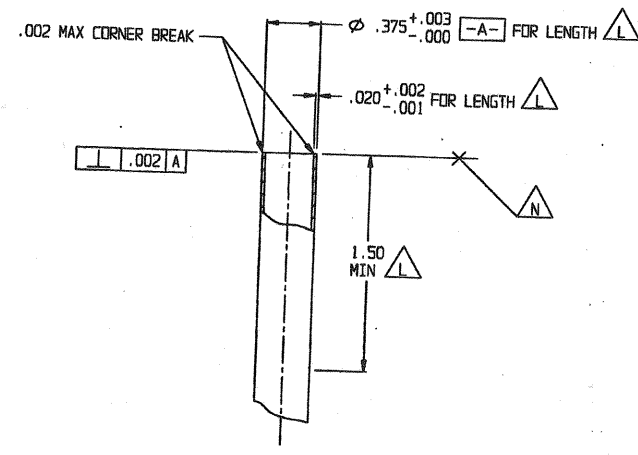


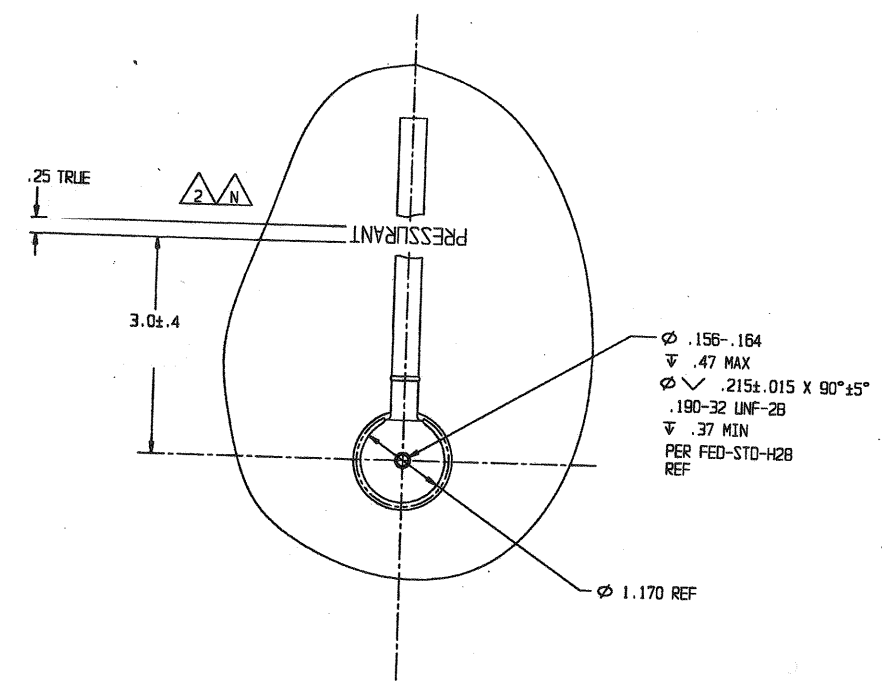
B  
SHEET 2

B  
SHEET 2

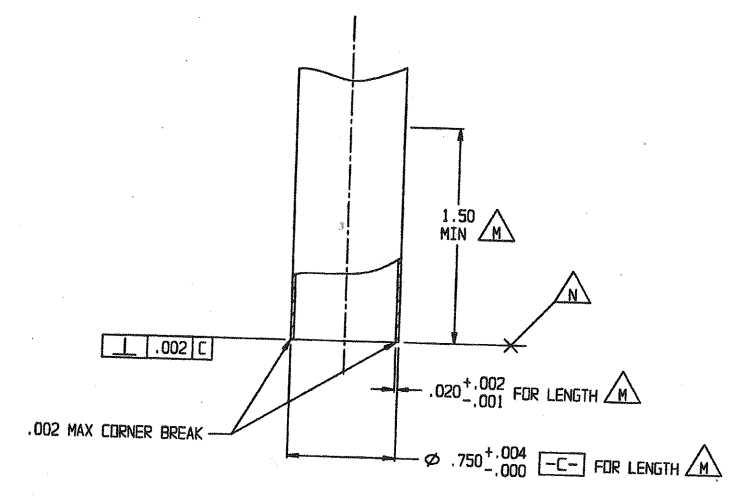
<b>PRESSURE SYSTEMS, INC.</b> LOS ANGELES, CALIFORNIA			
<b>PROPELLANT TANK ASSY</b>			
CAGE CODE <b>18229</b>	SIZE <b>E</b>	DWG NO. <b>80397</b>	REV. <b>C</b>
SCALE: 1/1	SHEET	1 OF 2	



VIEW E SHEET 1  
SCALE 2/1



VIEW B-B SHEET 1



VIEW D SHEET 1  
ROTATED 14° CLOCKWISE  
SCALE 2/1

<b>PRESSURE SYSTEMS, INC.</b> LOS ANGELES, CALIFORNIA			
PROPELLANT TANK ASSY			
CAGE CODE <b>18229</b>	SIZE <b>E</b>	ENG. NO. 80397	REV. <b>A</b>
SCALE: 1/1	SHEET	2 OF 2	