

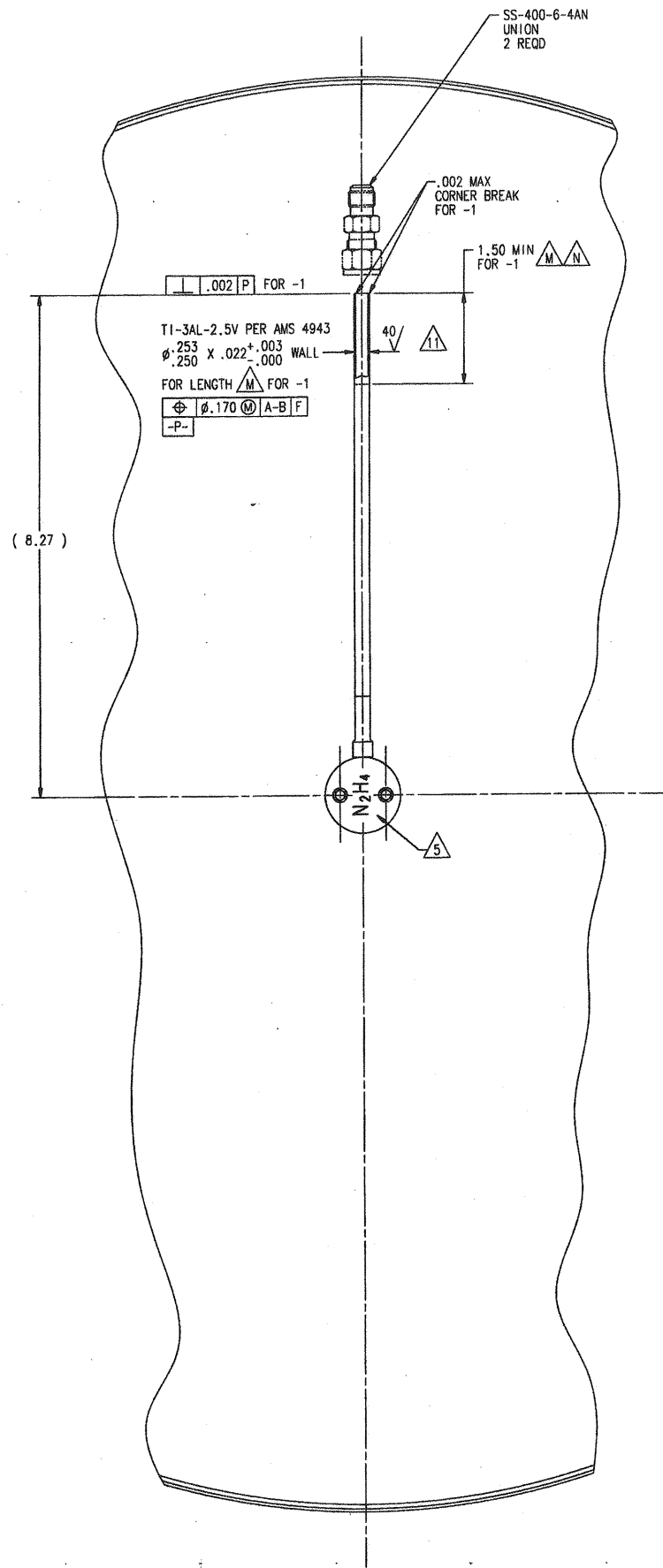
Y  
SHEET 2

X  
SHEET 2

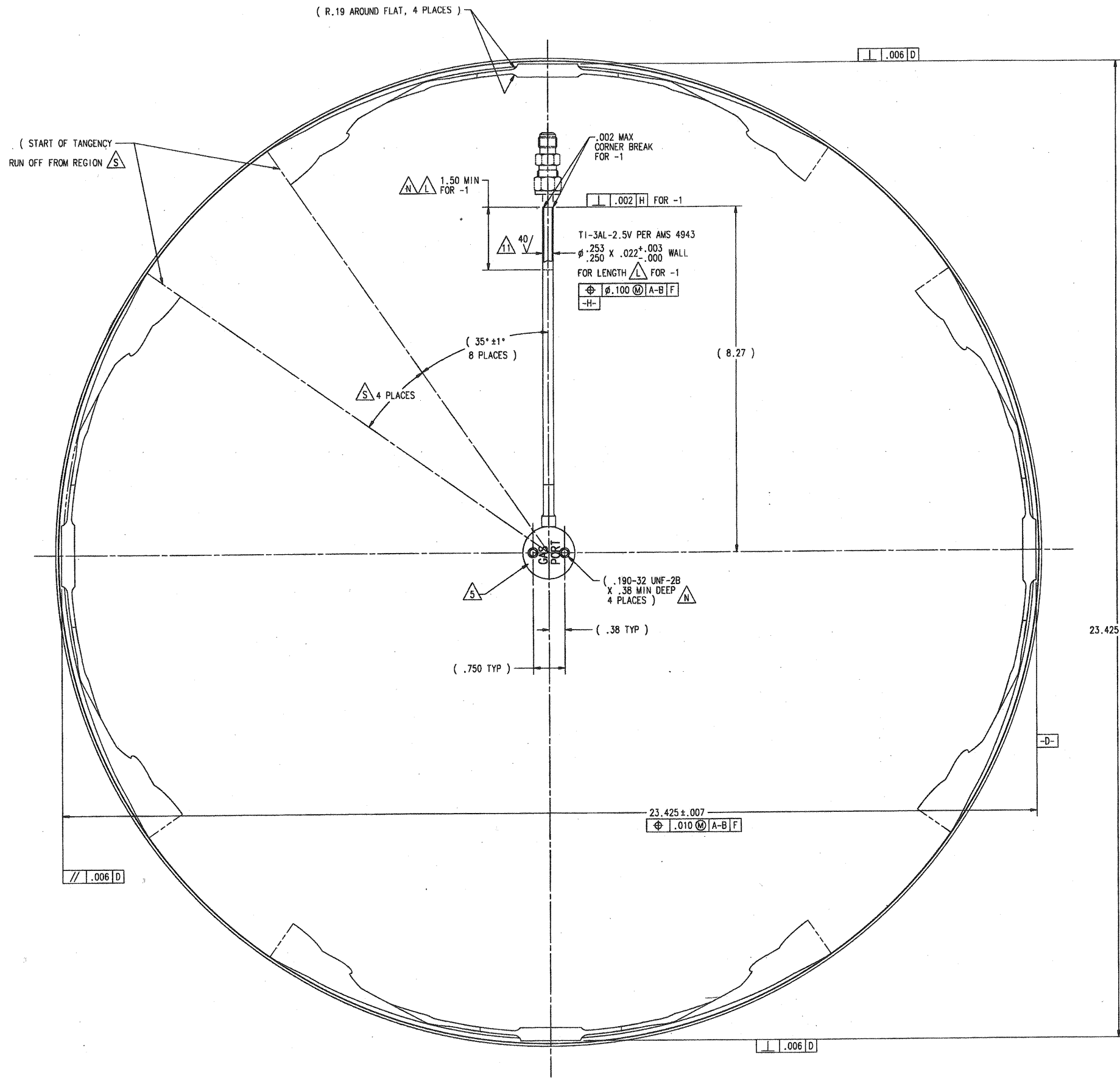
Y

X

PRESSURE SYSTEMS, INC.			
LOS ANGELES, CALIFORNIA			
PROPELLANT TANK ASSEMBLY			
CAGE CODE	SIZE	DOC NO.	REV.
18229	E	80450	NC



VIEW Y-Y SHEET 1



VIEW X-X SHEET 1

PRESSURE SYSTEMS, INC.			
LOS ANGELES, CALIFORNIA			
PROPELLANT TANK ASSEMBLY			
CAGE CODE	SIZE	DRG NO.	REV.
18229	E	80450	NC
SCALE: 1/1	SHEET		2 OF 2