

Y

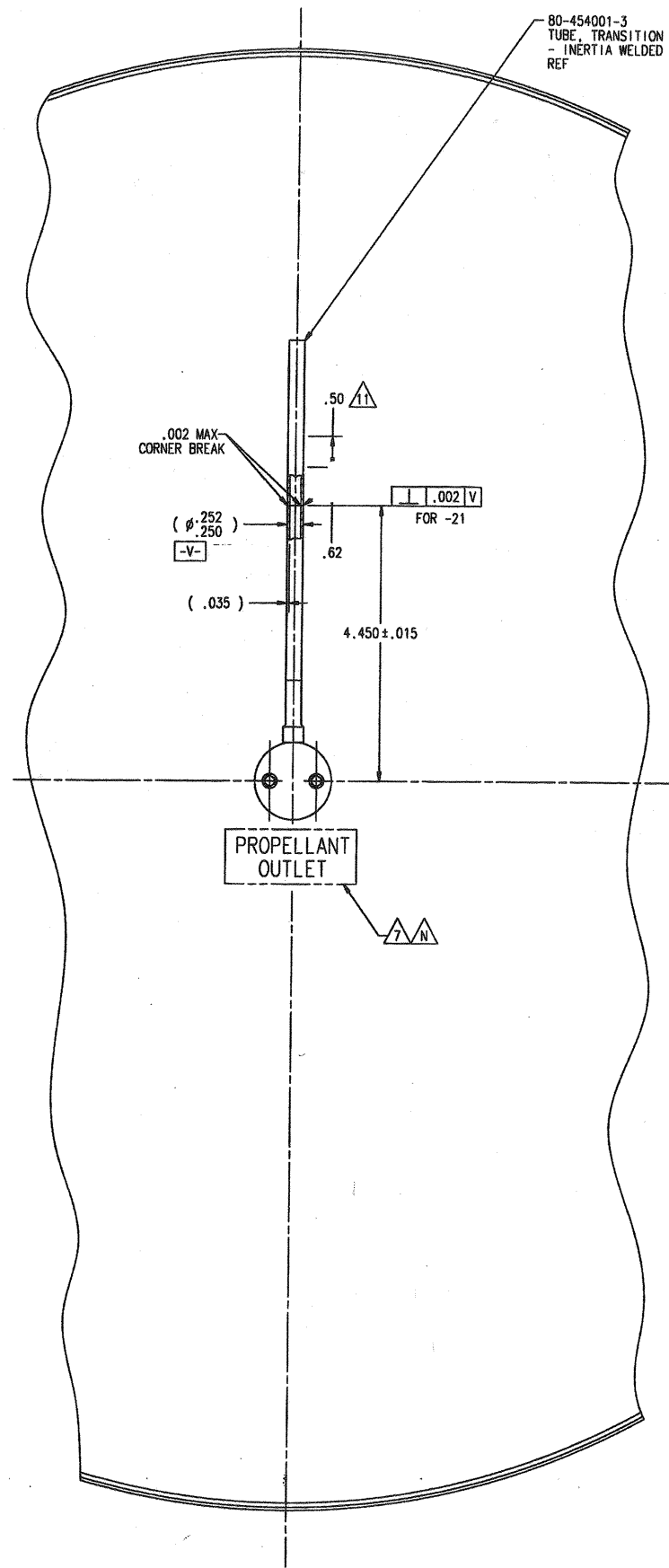
X

Y SHEET 2

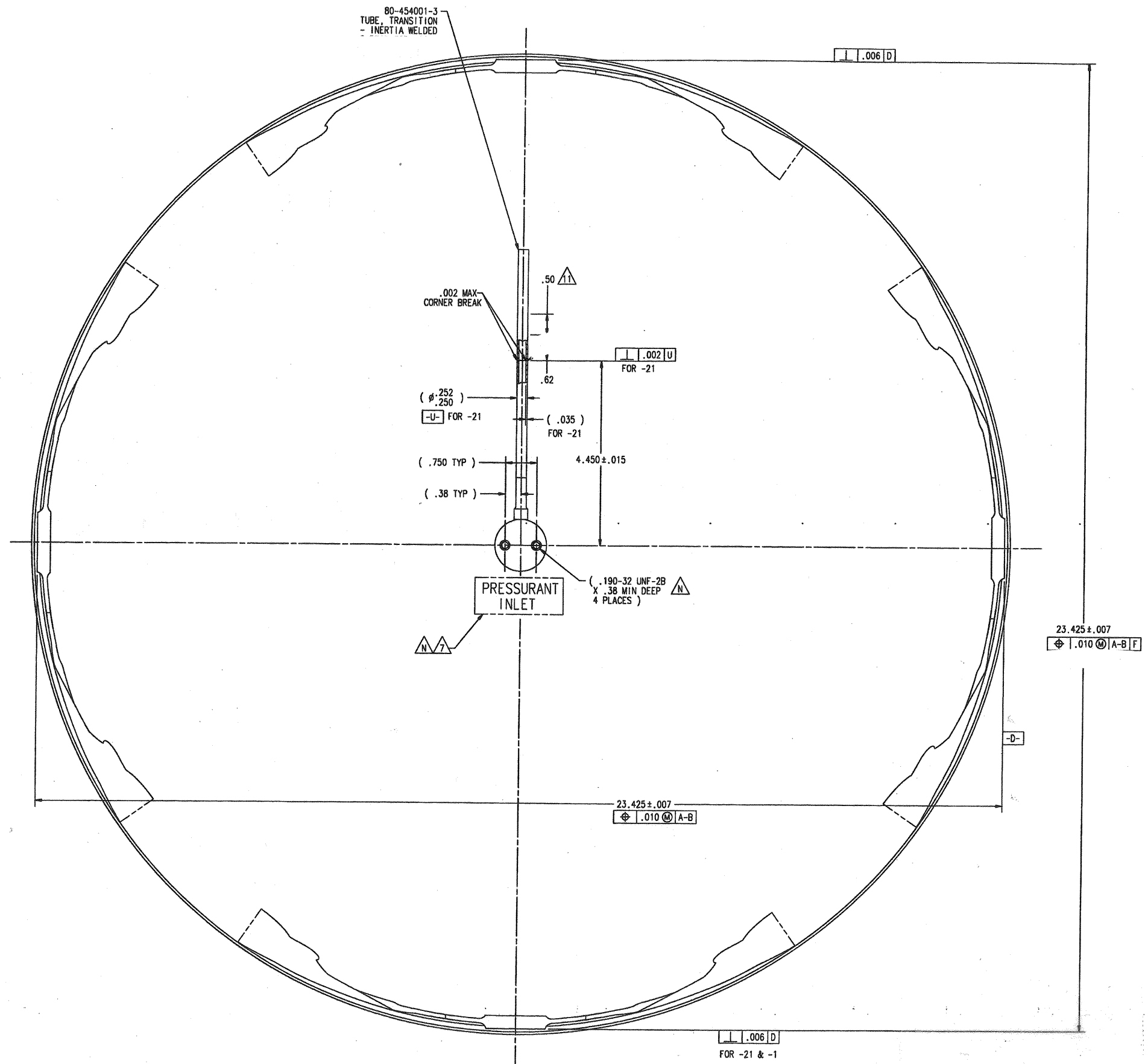
X SHEET 2

- (-31) TANK - SHELL ASSY
- (-21) TANK - MACHINED
- (-11) TANK - WELDMENT

PRESSURE SYSTEMS, INC.			
<small>LOS ANGELES, CALIFORNIA</small>			
PROPELLANT TANK ASSEMBLY			
<small>CAGE CODE</small>	<small>SIZE</small>	<small>DRG NO.</small>	<small>REV.</small>
18229	E	80469	NC
<small>SCALE: 1/1</small>	<small>SHEET</small>	<small>1 OF 2</small>	



VIEW Y-Y SHEET 1



VIEW X-X SHEET 1

PRESSURE SYSTEMS, INC. LOS ANGELES, CALIFORNIA			
PROPELLANT TANK ASSEMBLY			
DATE CODE 18229	SIZE E	DWG NO. 80469	REV. NC
SCALE: 1/1		SHEET 2 OF 2	