

SHEET 2

SHEET 2

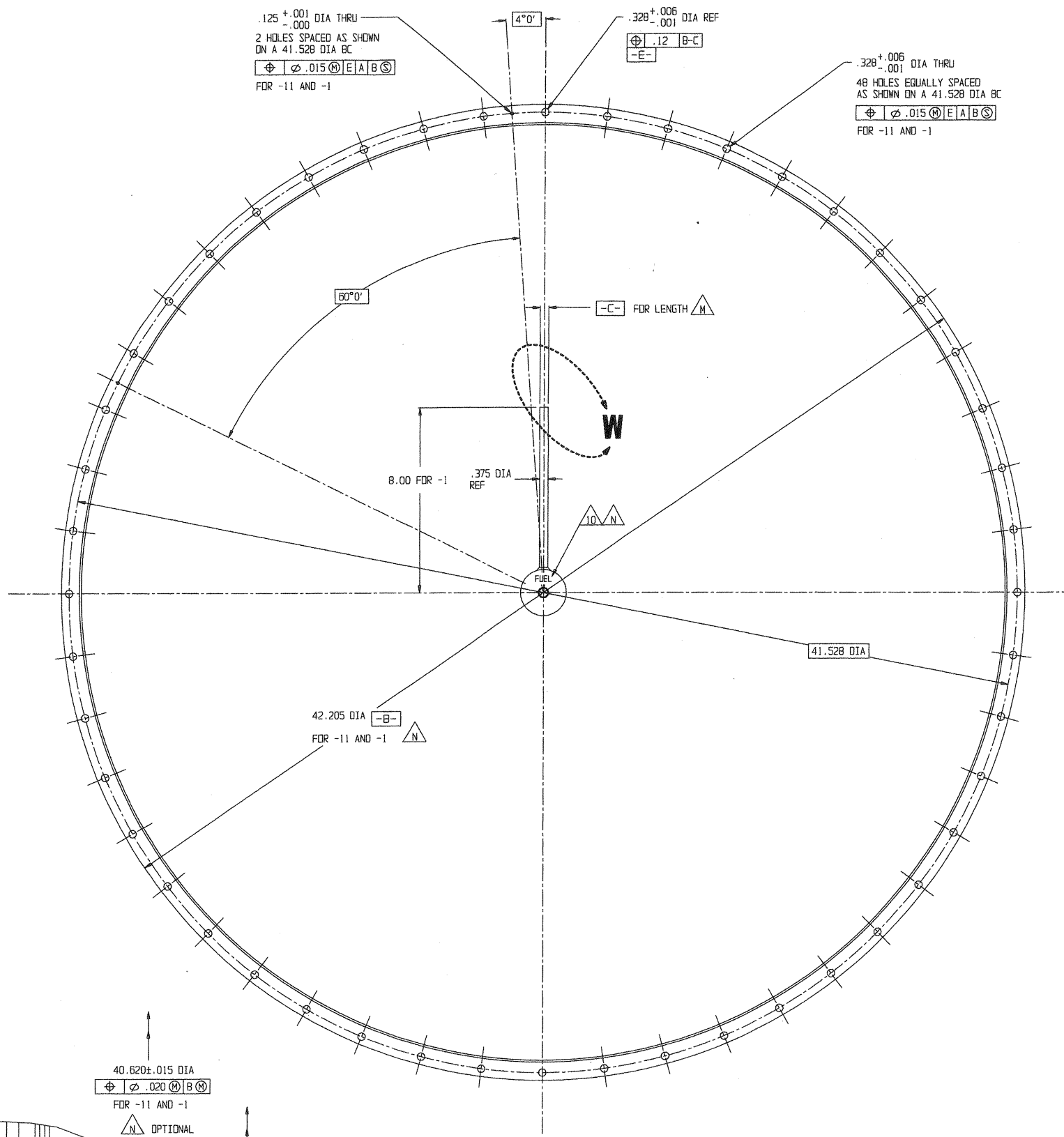
VIEW T FOR -1

SCALE 1/1

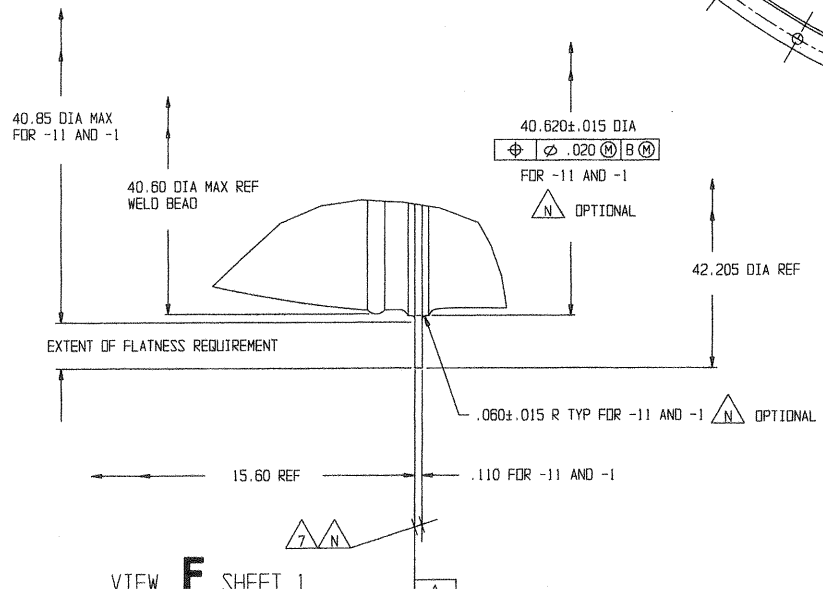
PRESSURE SYSTEMS, INC.			
LOS ANGELES, CALIFORNIA			
TANK, PROPELLANT			
CAGE CODE	SIZE	DWG NO.	REV.
18229	E	80485	A
SCALE: 1/2		SHEET 1 OF 2	

- (-11) TANK, MACHINED
1 REGD FOR -1
- (-21) TANK, WELDMENT
1 REGD FOR -1

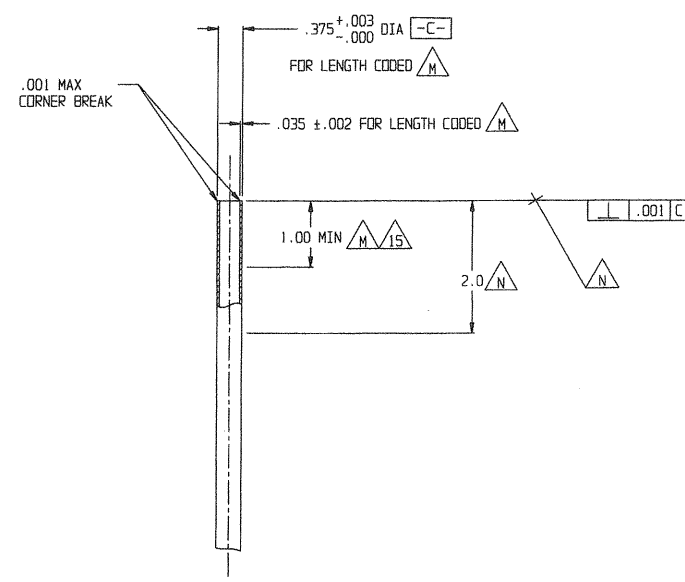
.015
-A-



VIEW D-D SHEET 1



VIEW F SHEET 1



VIEW W FOR -1

SCALE 1/1

PRESSURE SYSTEMS, INC.
LOS ANGELES, CALIFORNIA

TANK, PROPELLANT

CAGE CODE	SIZE	ENG. NO.	REV.
18229	E	80485	NC
SCALE: 1/2		SHEET 2 OF 2	