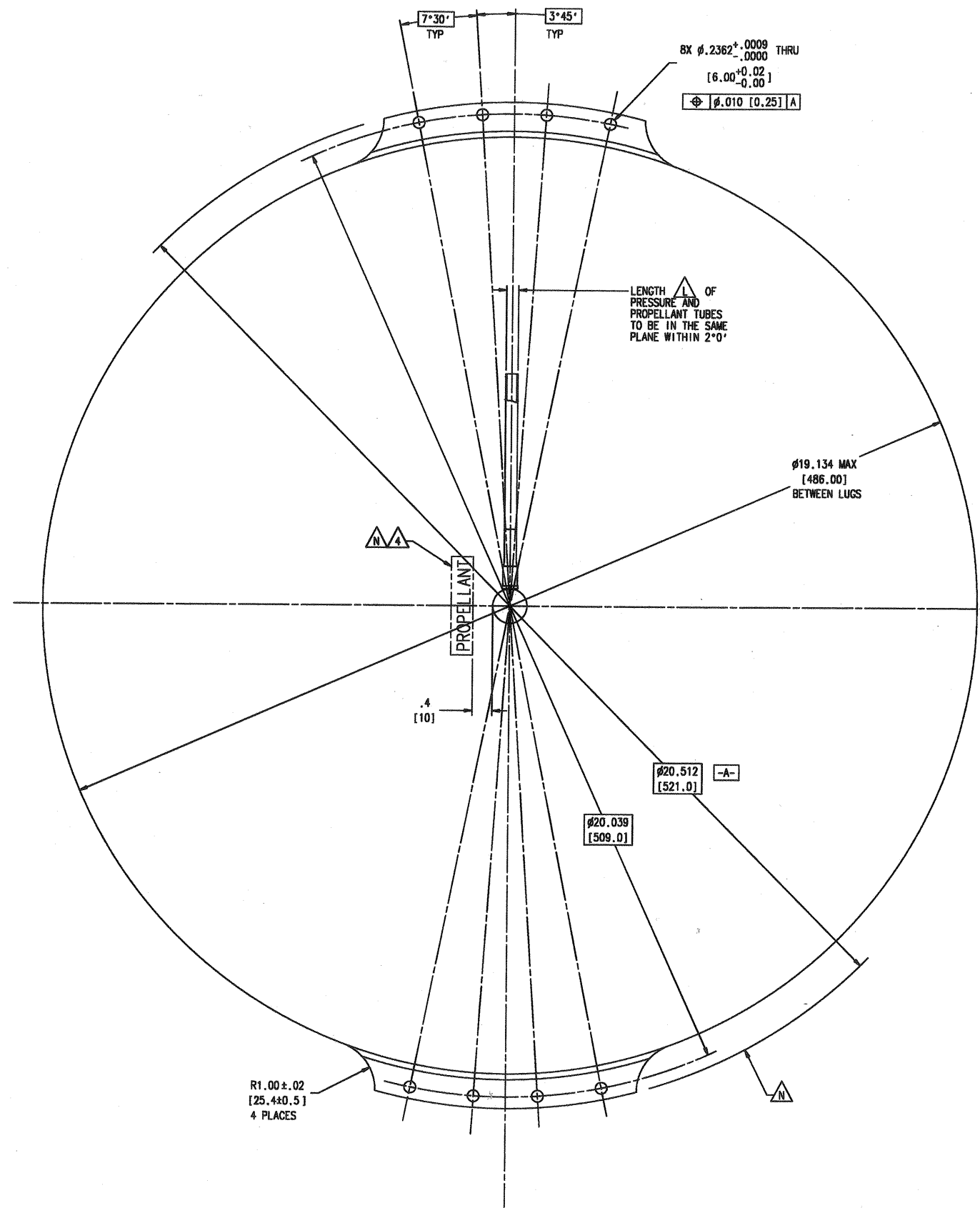
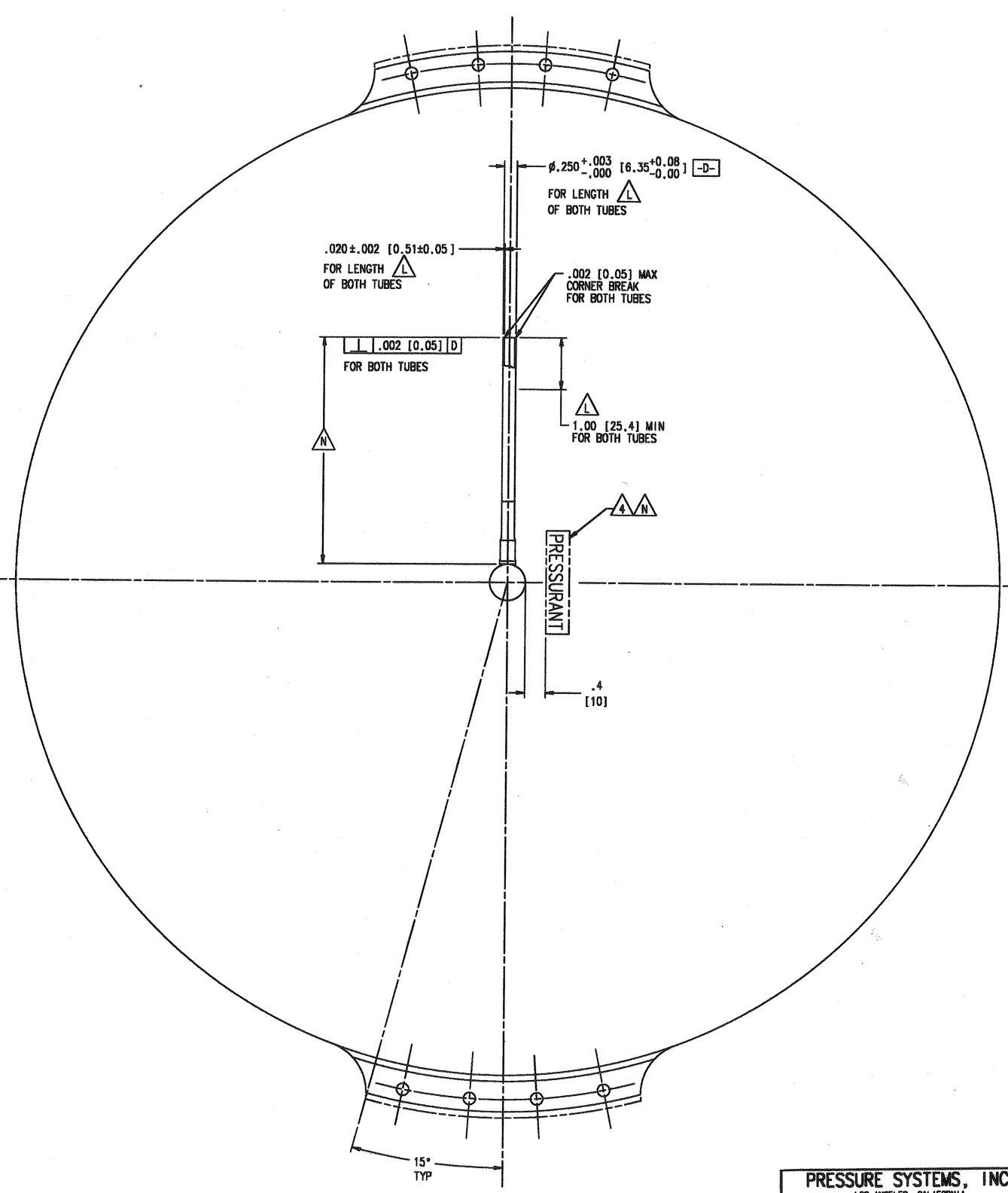


VIEW Z
SCALE: 2/1

PRESSURE SYSTEMS, INC. LOS ANGELES, CALIFORNIA			
HYDRAZINE PROPELLANT TANK - INTERFACE CONTROL			
DATE CODE 18229	SIZE E	DWG NO. 80486 ICD	REV. NC
SCALE: 1/1		SHEET 1 OF 2	



VIEW Y-Y SHEET 1



VIEW X-X SHEET 1

PRESSURE SYSTEMS, INC.			
LOS ANGELES, CALIFORNIA			
HYDRAZINE PROPELLANT TANK			
- INTERFACE CONTROL			
DATE CODE	SIZE	REV. NO.	REV.
18229	E	80486 ICD	NC
SCALE: 1/1		SHEET 2 OF 2	