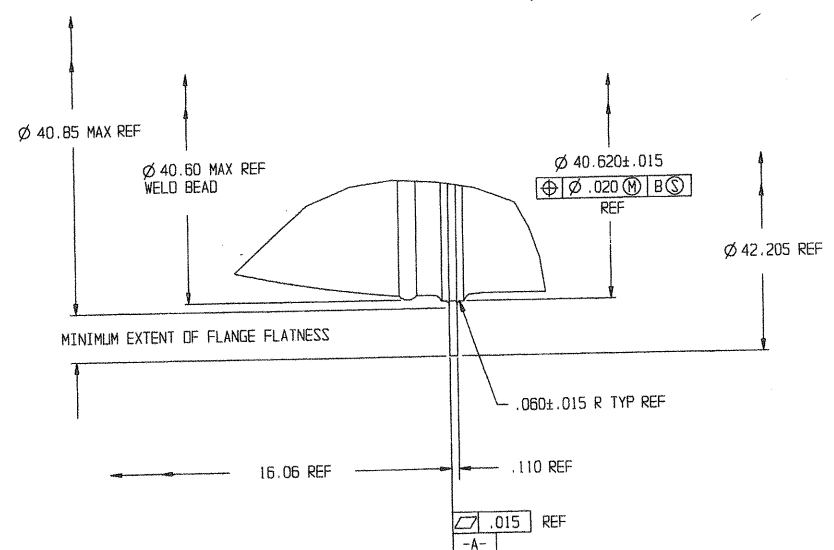


PRESSURE SYSTEMS, INC.  
 LOS ANGELES, CALIFORNIA  
 TANK, PROPELLANT

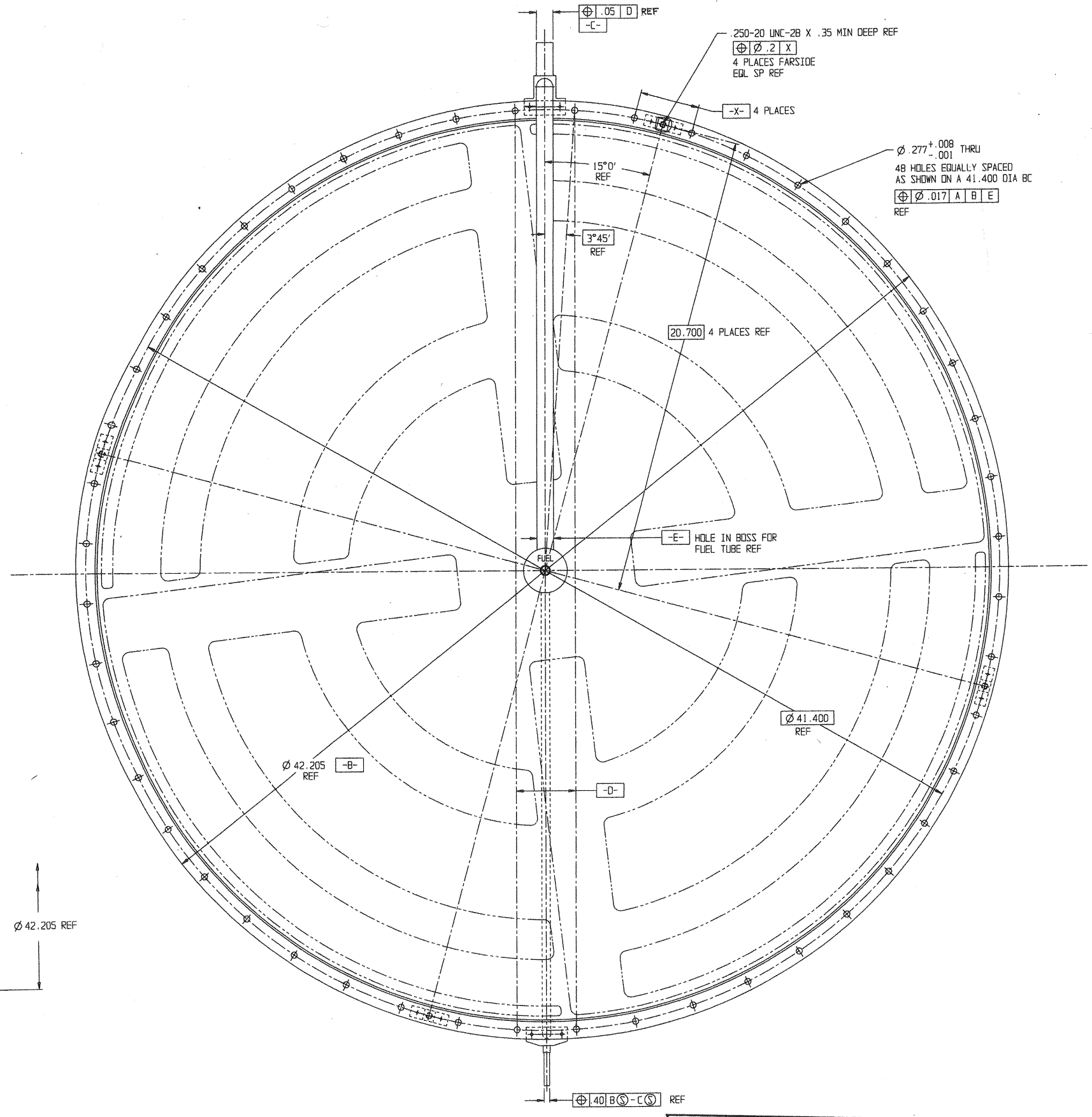
CAGE CODE	SIZE	ENG NO.	REV.
18229	E	80487	NC
SCALE: 1/2		SHEET 1 OF 2	



VIEW F SHEET 1

SCALE 1/1

TUBE MOUNTING BLOCK REMOVED FOR CLARITY



VIEW D-D SHEET 1

PRESSURE SYSTEMS, INC. LOS ANGELES, CALIFORNIA			
TANK, PROPELLANT			
CASE CODE	SIZE	DRG NO.	REV.
18229	E	80487	NC
SCALE: 1/2	SHEET	2 OF 2	