

(.620 ± .015)

1.20 FOR -1

PURGE PORT

.0240 ± .0025 FOR 1.0 MIN LENGTH FROM END TYP 2 PLACES FOR -1

.002 EE TYP 2 PLACES FOR -1

-.EE- φ.250 ± .003 FOR 1.0 MIN LENGTH FROM END TYP 2 PLACES FOR -1

SHEET 2

φ23.70 MAX OVER WELD BEAD

φ23.60 MAX OVER WELD BEAD 2 PLACES

ALIGN SCRIBE LINES WITHIN .03 PRIOR TO WELD FOR -21

(R.50 ± .12 TYP)

φ.375 ± .001 THRU 1 WALL

3 HOLES LOCATED PER CUSTOMER DRILL TEMPLATE PART NO. 10257736 FOR -11 & -1

2.000 GAGE -C-

φ.010 A C -F- FOR -11

3X .550

(1.17 TYP)

(.843)

(1.48 TYP)

(1.40 TYP)

(SR11.563 FOR BOTH HEMISPHERES)

.002 -A- 3 SURFACES FOR -11 & -1

3.8 MIN

(.046 ± .003)

(5.981)

POINT 'T'

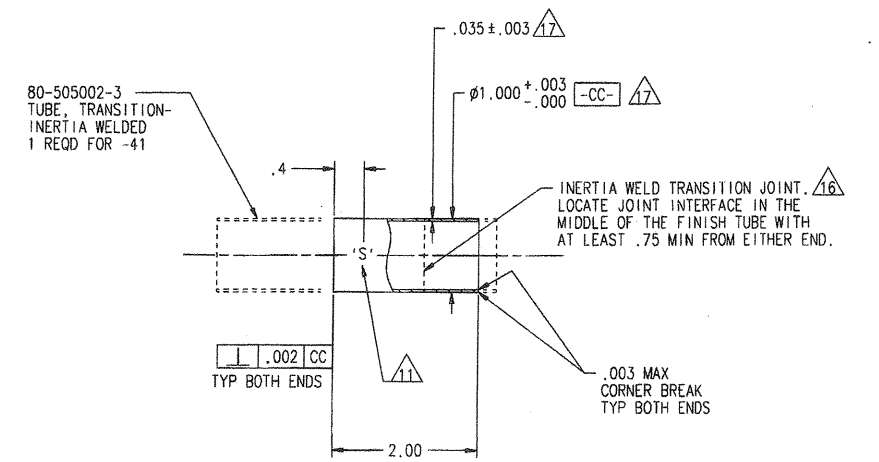
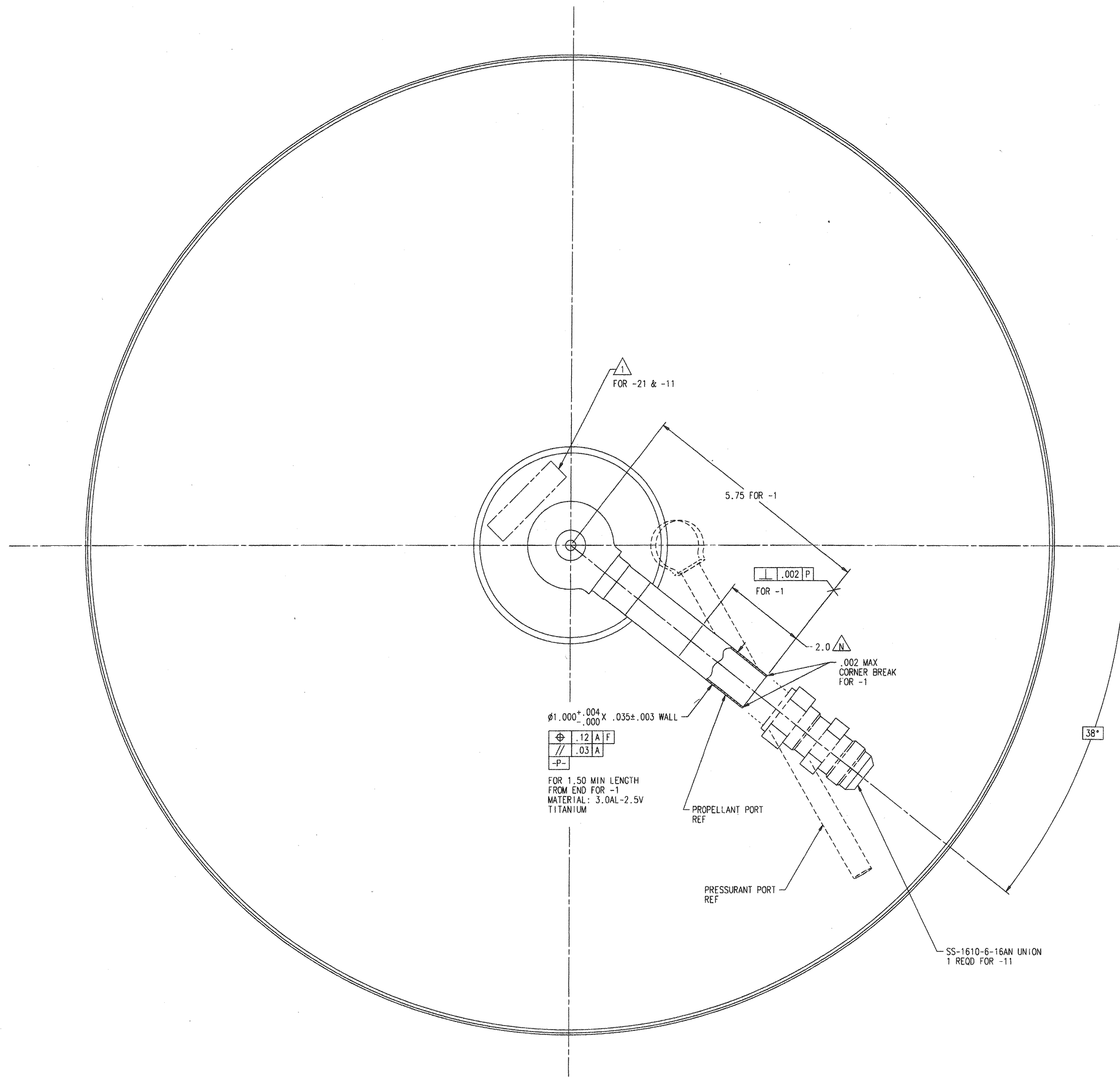
(CONTOUR IN REGIONS S)

ATK SPACE SYSTEMS, INC.
LOS ANGELES, CALIFORNIA

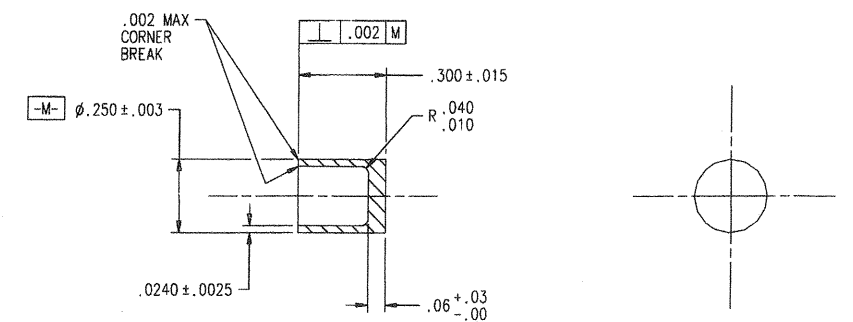
PROPELLANT TANK ASSEMBLY

CAGE CODE	SIZE	DRG NO.	REV.
18229	E	80505	A

SCALE: 1/1 SHEET 1 OF 4



DETAIL -41



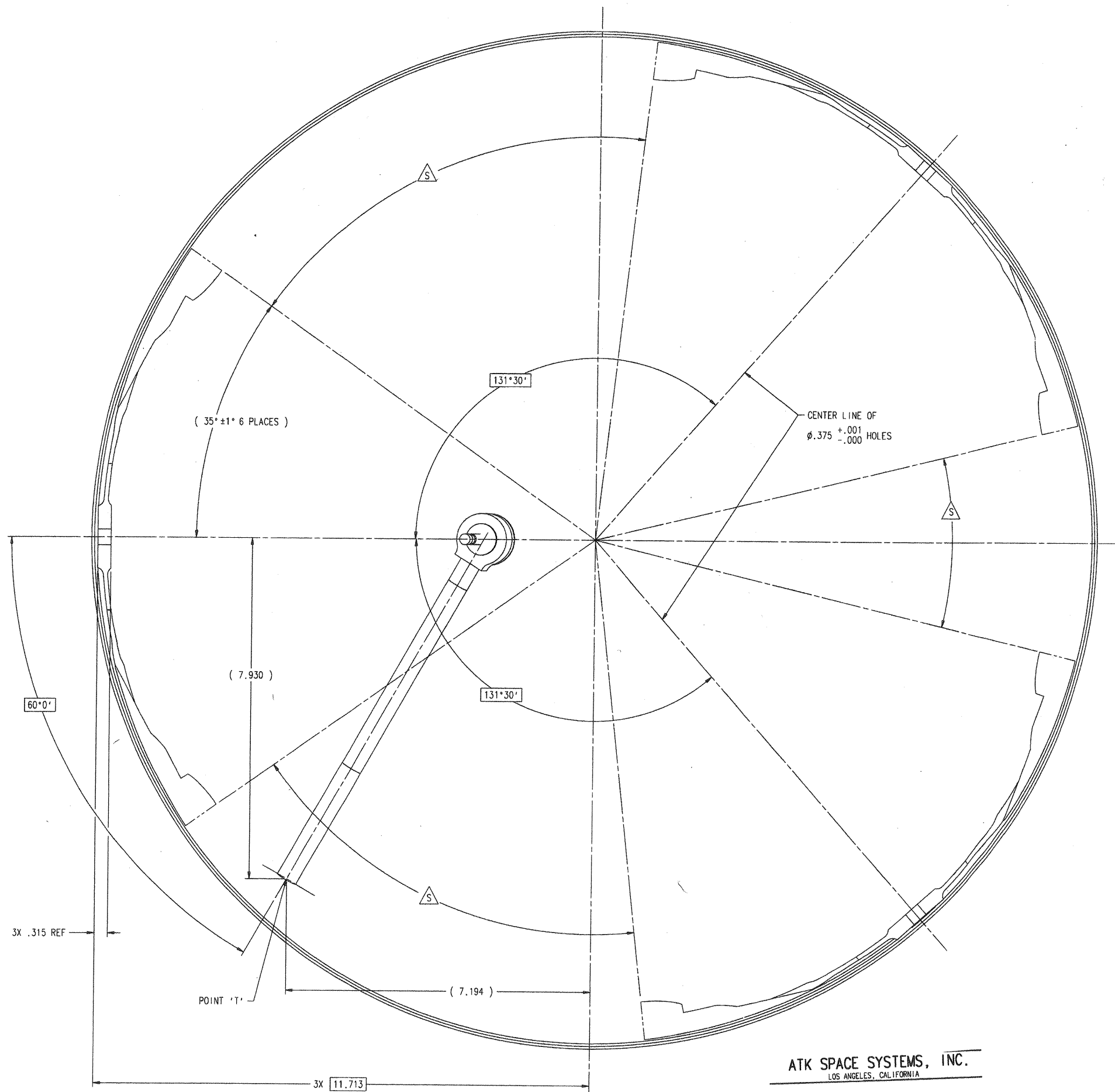
DETAIL -51

SCALE: 4/1

ATK SPACE SYSTEMS, INC.
LOS ANGELES, CALIFORNIA

PROPELLANT TANK ASSEMBLY

CAGE CODE	SIZE	DWG NO.	REV.
18229	E	80505	NC
SCALE: 1/1	SHEET		2 OF 4

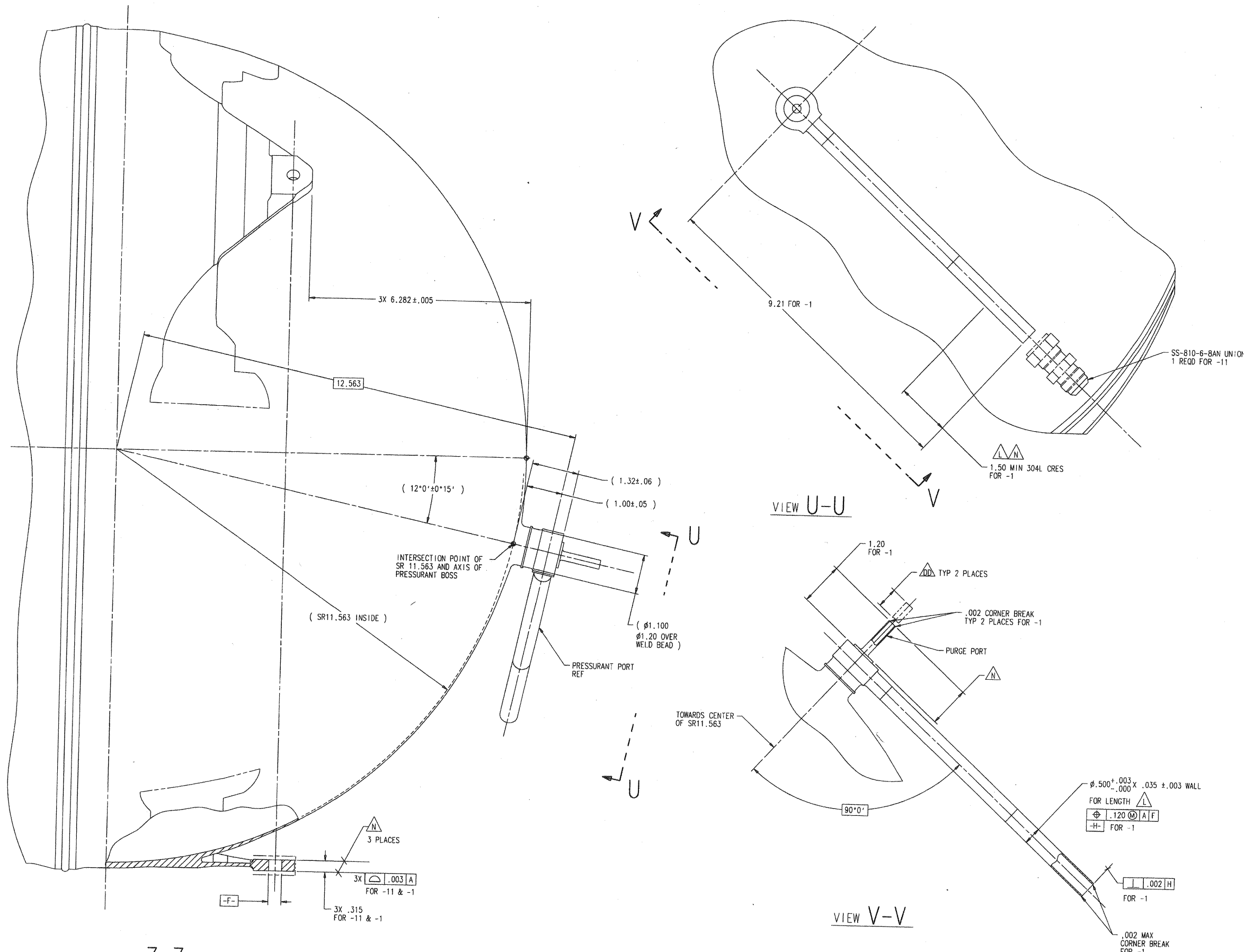


VIEW X-X SHEET 1

ATK SPACE SYSTEMS, INC.
 LOS ANGELES, CALIFORNIA

PROPELLANT TANK ASSEMBLY

CAGE CODE	SIZE	QWG NO.	REV.
18229	E	80505	NC
SCALE: 1/1	SHEET		3 OF 4



VIEW Z-Z SHEET 1

VIEW U-U

VIEW V-V

ATK SPACE SYSTEMS, INC.
LOS ANGELES, CALIFORNIA

PROPELLANT TANK ASSEMBLY

CAGE CODE	SIZE	DRG NO.	REV.
18229	E	80505	NC

SCALE: 1/1 SHEET 4 OF 4