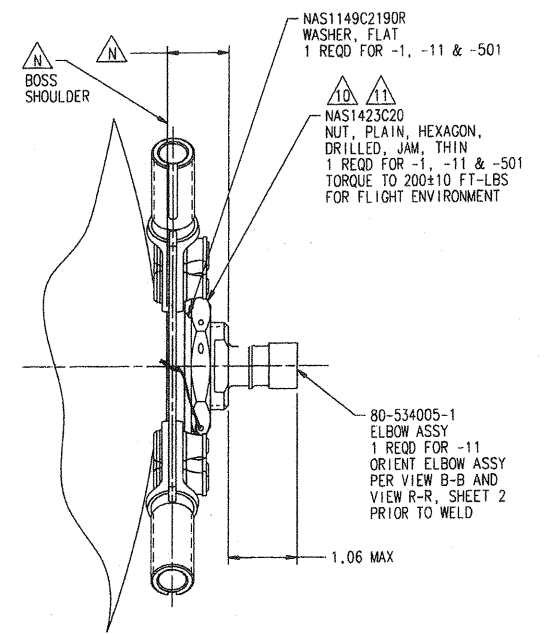
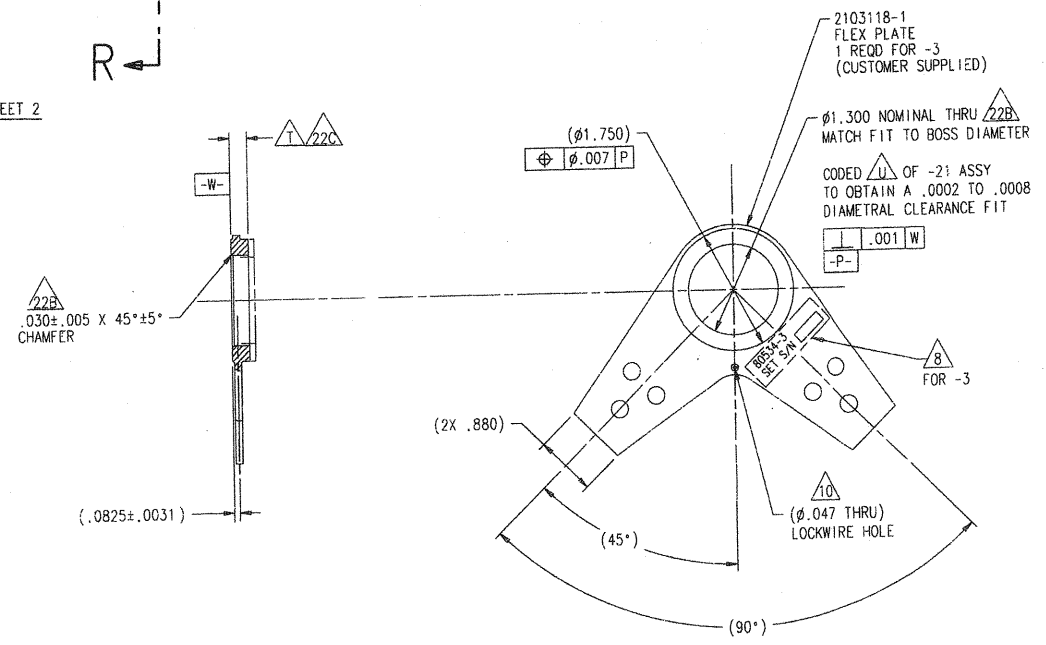


-1, -11 & -501 ASSY

R SHEET 2



VIEW C
SCALE: 1/1



DETAIL -3
FLEX PLATE-MATCHED
SCALE: 1/1

ATK SPACE SYSTEMS, INC.
LOS ANGELES, CALIFORNIA

TANK, PROPELLANT -
DIAPHRAGM UP

CAGE CODE	SIZE	DWG NO.	REV.
18229	E	80534	B

DATE: 1/2 & NOTED SHEET 1 OF 3