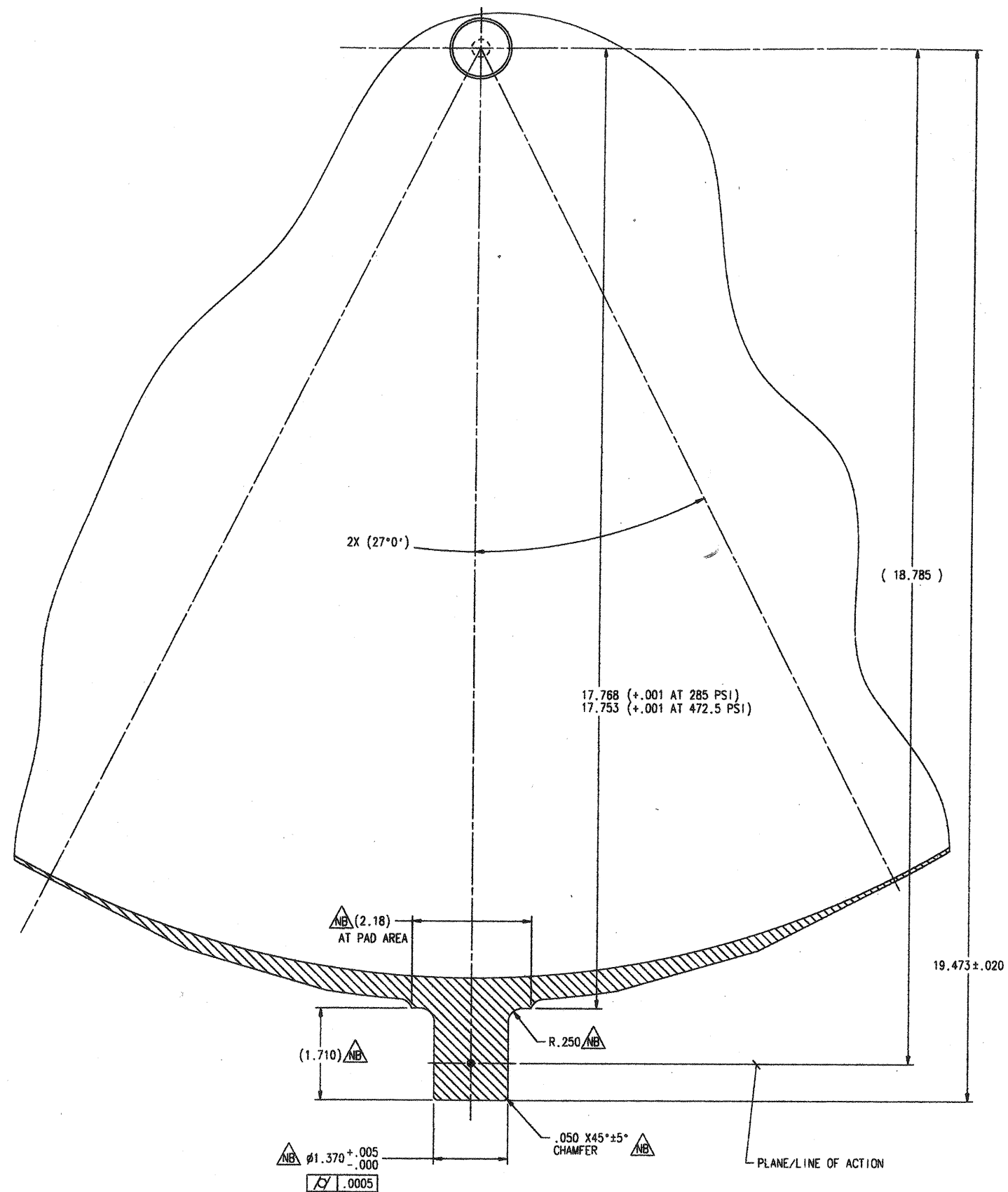
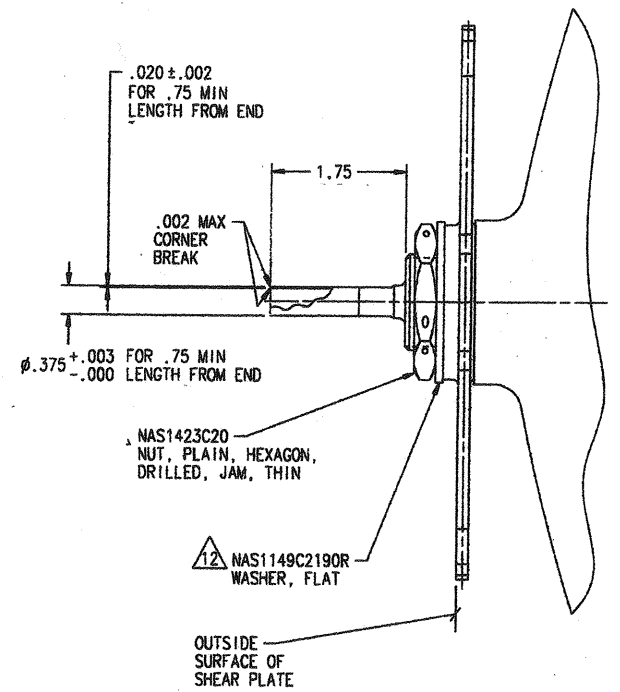


-1 & -501 ASSY

ATK SPACE SYSTEMS, INC. COMMERCE, CALIFORNIA			
SIZE E	DWG CODE 18229	DWG NO. 80557 ICD	REV. -
SCALE: 1/2	SHEET	1 OF 3	

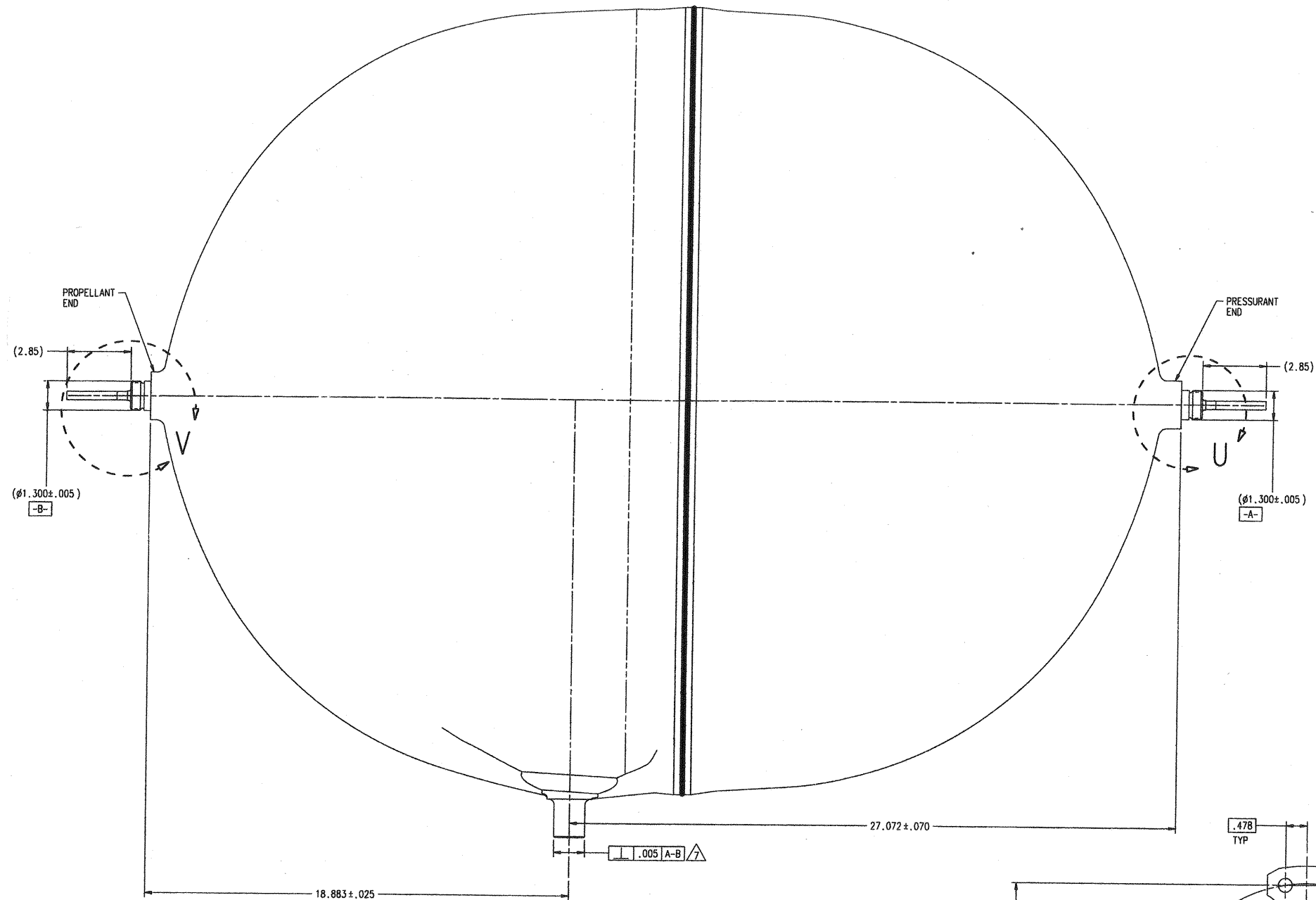


SECTION T-T SHEET 1
SCALE: 1/1

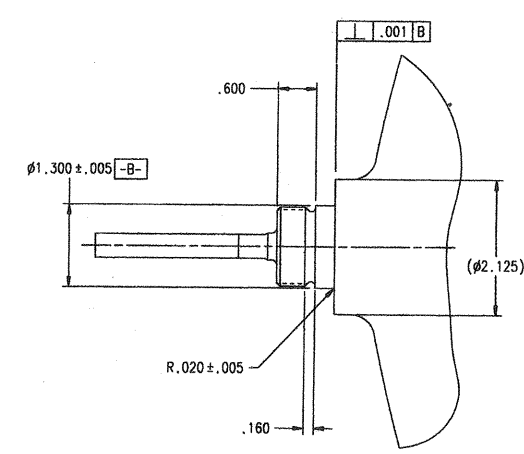


VIEW S SHEET 1
TYPICAL BOTH ENDS
SCALE: 1/1

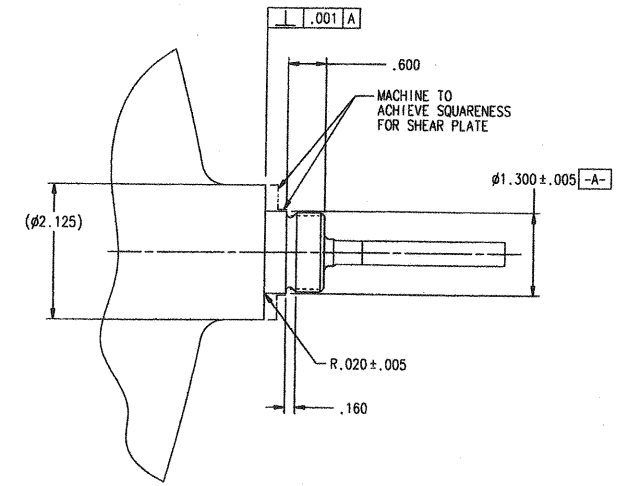
ATK SPACE SYSTEMS, INC. COMMERCE, CALIFORNIA			
SIZE	DWG CODE	DWG NO.	REV.
E	18229	80557 ICD	-
SCALE: 1/1		SHEET 2 OF 3	



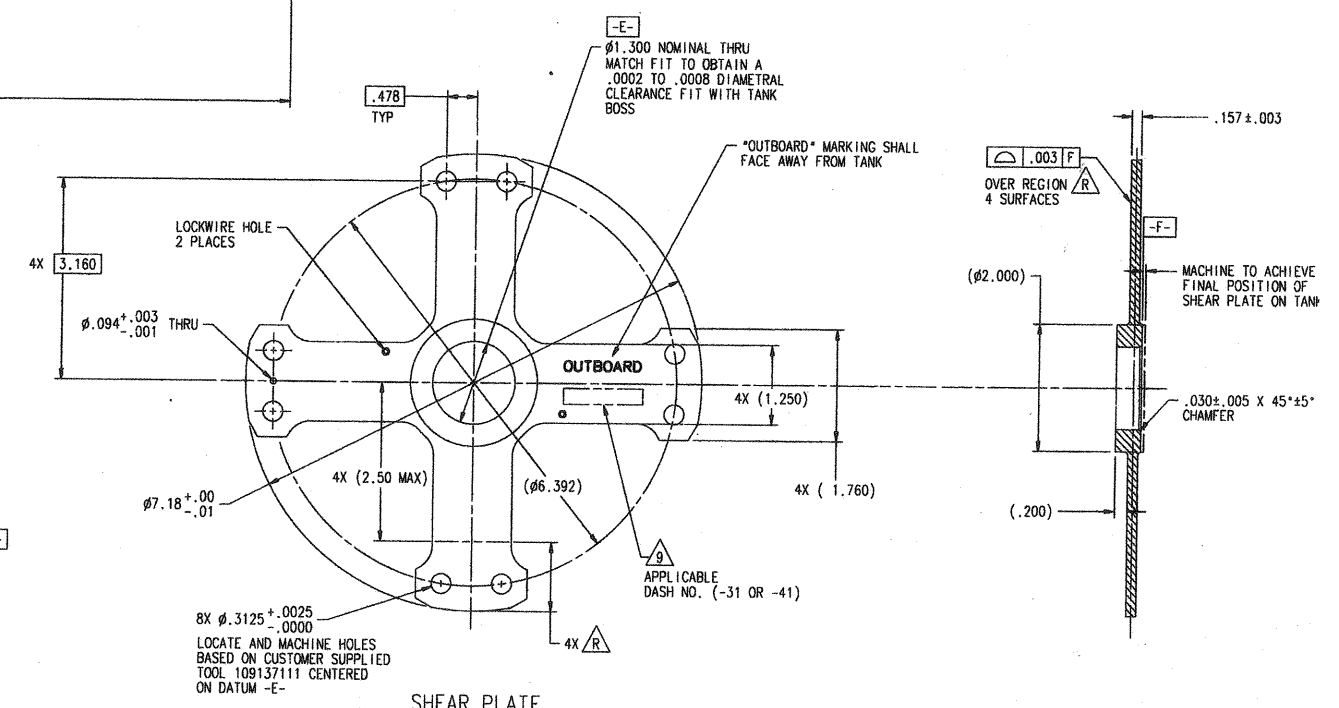
TANK ASSY - MACHINED
SHEAR PLATES & MOUNTING
HARDWARE REMOVED FOR CLARITY



VIEW V
SHEAR PLATE REMOVED
FOR CLARITY
SCALE: 1/1



VIEW U
SCALE: 1/1



SHEAR PLATE
1 REQD FOR PRESSURANT END-MATCHED -41
1 REQD FOR PROPELLANT END-MATCHED -31
SCALE: 1/1

ATK SPACE SYSTEMS, INC. COMMERCE, CALIFORNIA			
SIZE	DWG CODE	DWG NO.	
E	18229	80557 ICD	
SCALE: 1/2		SHEET	3 OF 8