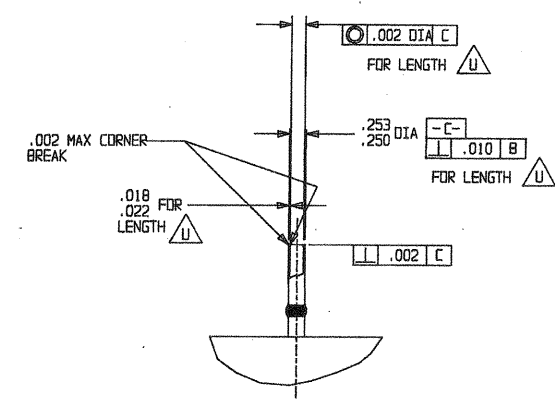
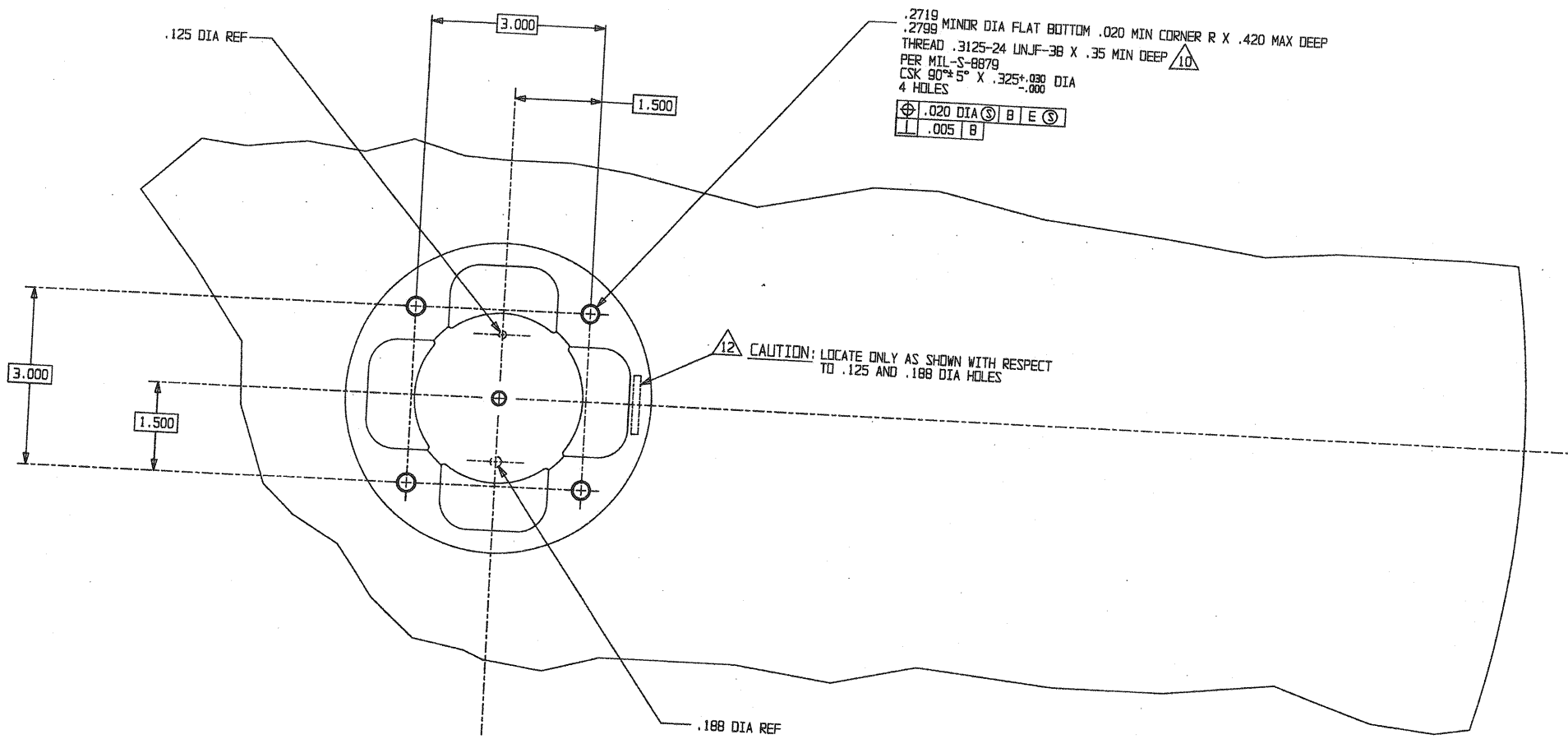


VIEW C FOR -1
SCALE: 1/1



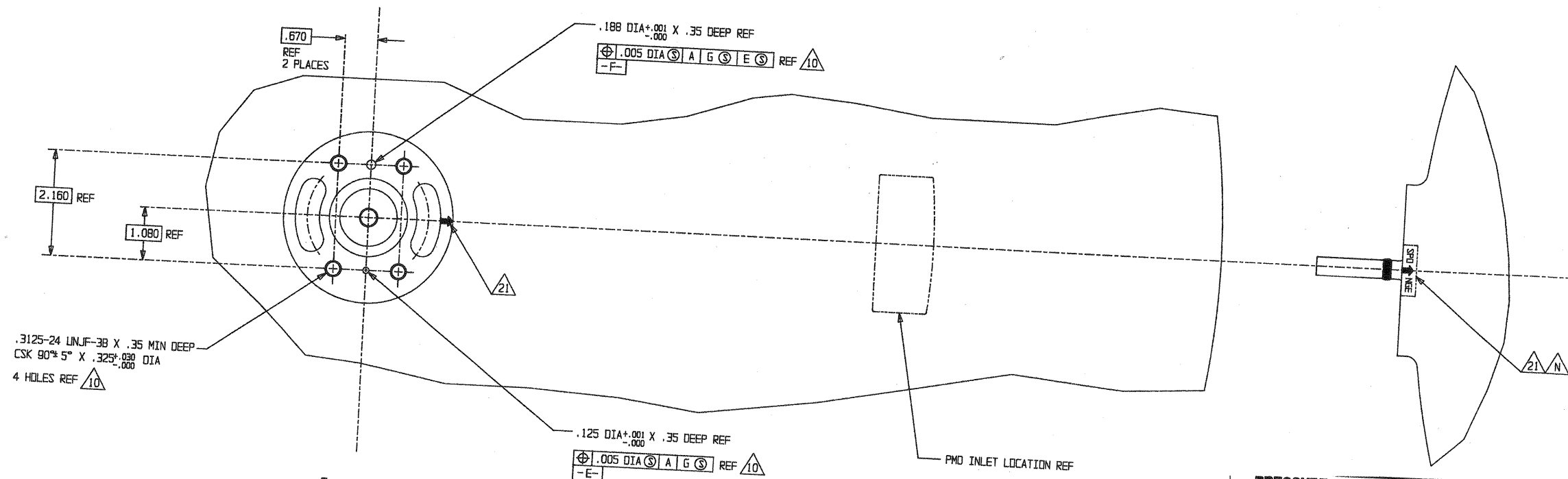
VIEW D FOR -1
SCALE: 1/1

PRESSURE SYSTEMS, INC. LOS ANGELES, CALIFORNIA			
PROPELLANT TANK			
CAGE CODE 18229	SIZE E	DWG NO. 80350	REV. D
SCALE: 1/2	SHEET		1 OF 2



VIEW **B-B** SHEET 1

SCALE: 1/1



VIEW **A-A** SHEET 1

SCALE: 1/1

PRESSURE SYSTEMS, INC.
 LOS ANGELES, CALIFORNIA

PROPELLANT TANK

CAGE CODE	SIZE	DWG NO.	REV.
18229	E	80350	B