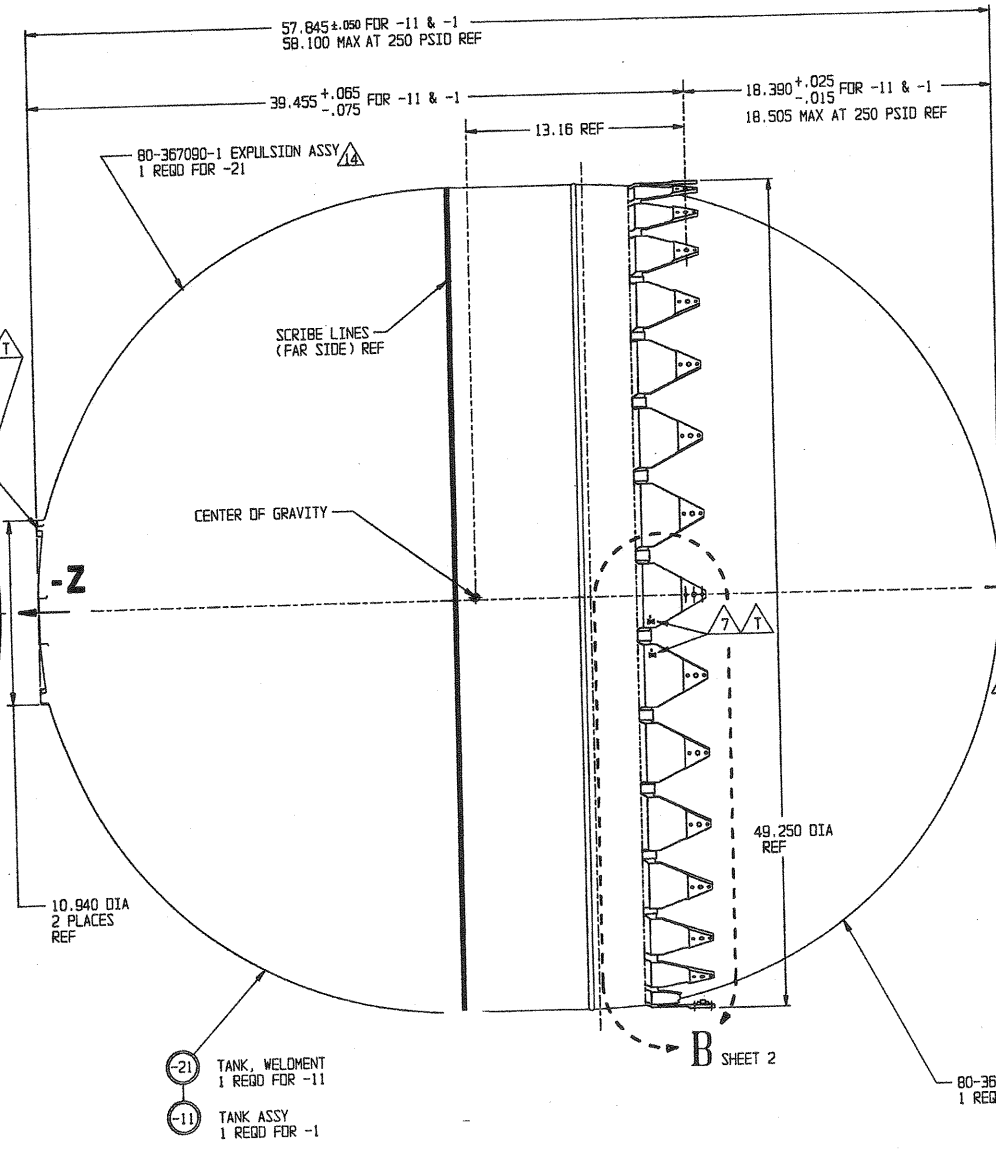
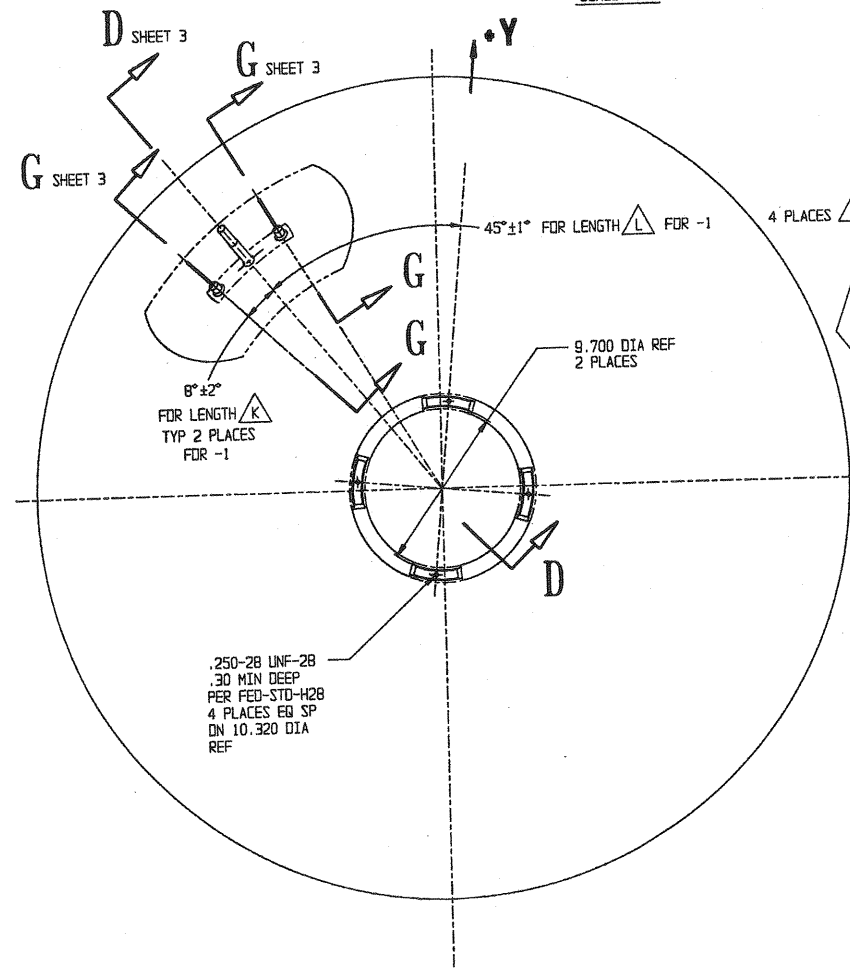
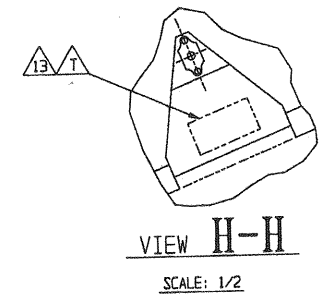
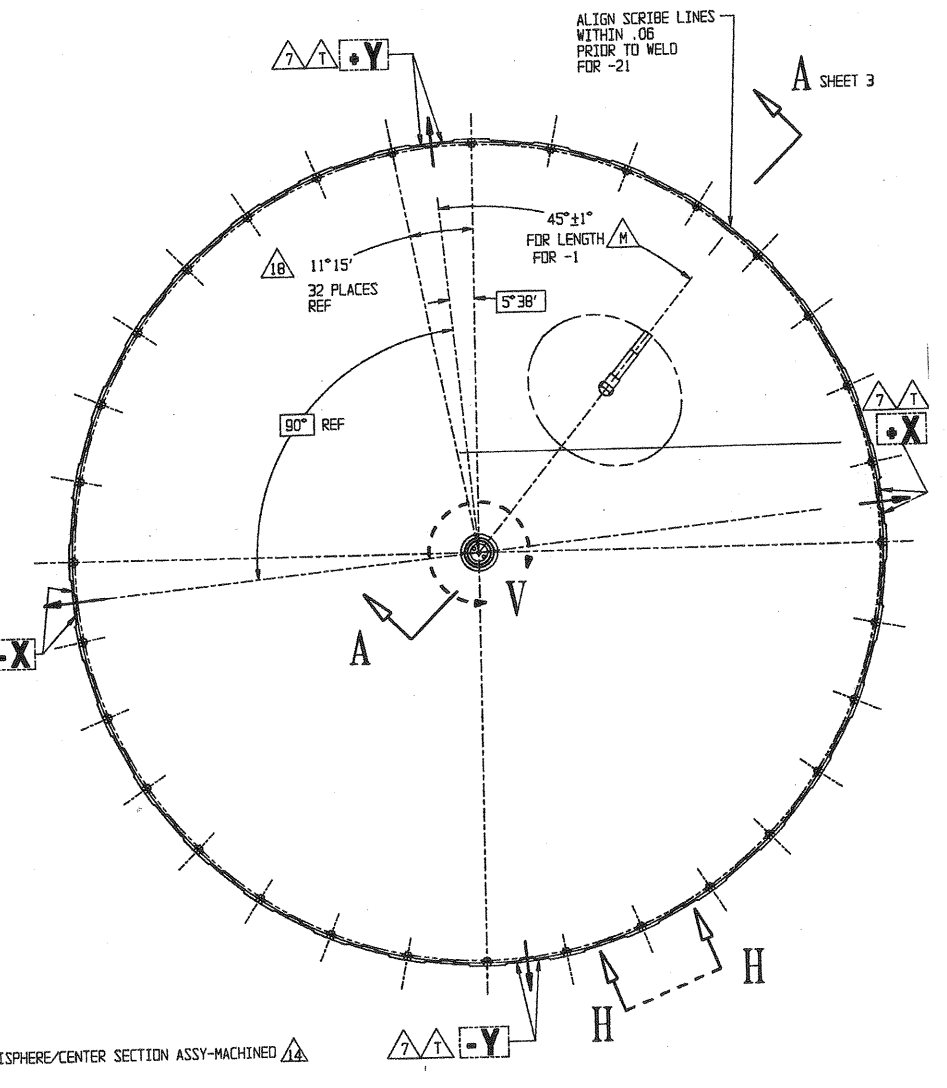


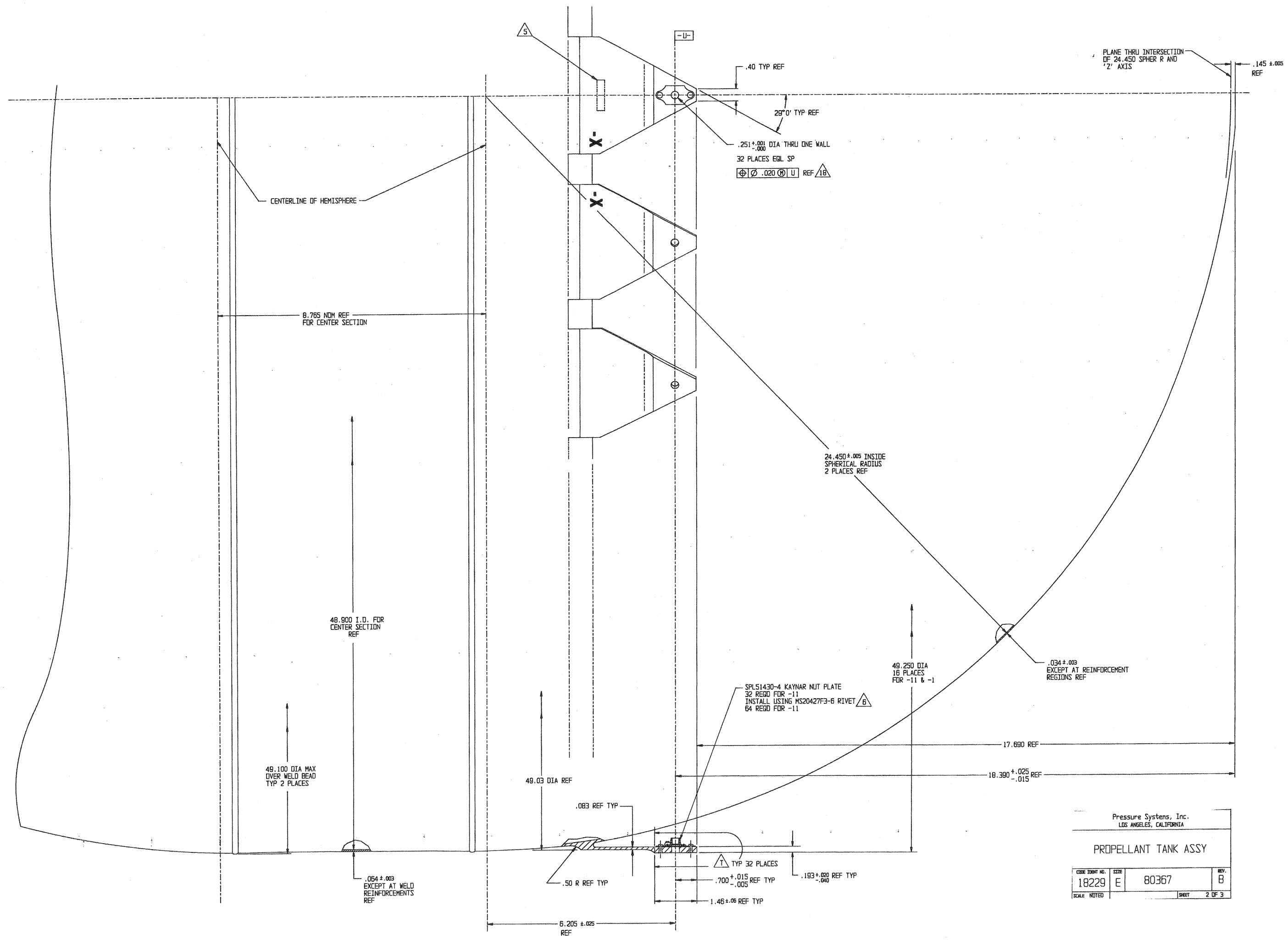
VIEW V  
SCALE: 1/1



- (-21) TANK, WELDMENT  
1 REGD FOR -11
- (-11) TANK ASSY  
1 REGD FOR -1



|   |                 |       |           |
|---|-----------------|-------|-----------|
| Pressure Systems, Inc.<br>LOS ANGELES, CALIFORNIA |                 |       |           |
| PROPELLANT TANK ASSY                              |                 |       |           |
| CODE IDENT NO.<br>18229                           | SIZE<br>E       | 80367 | REV.<br>B |
| SCALE<br>1/4                                      | SHEET<br>1 OF 3 |       |           |



PLANE THRU INTERSECTION OF 24.450 SPHER R AND 'Z' AXIS  
 .145 ± .005 REF

.40 TYP REF  
 29° 0' TYP REF  
 .251 ± .001 DIA THRU ONE WALL  
 32 PLACES EGL SP  
 ⊕ ⊙ .020 ⊕ U REF 18

CENTERLINE OF HEMISPHERE

8.765 NOM REF FOR CENTER SECTION

24.450 ± .005 INSIDE SPHERICAL RADIUS  
 2 PLACES REF

48.900 I.D. FOR CENTER SECTION REF

49.250 DIA 16 PLACES FOR -11 & -1

.034 ± .003 EXCEPT AT REINFORCEMENT REGIONS REF

SPLS1430-4 KAYNAR NUT PLATE  
 32 REGO FOR -11  
 INSTALL USING MS20427F3-6 RIVET 6  
 64 REGO FOR -11

49.100 DIA MAX OVER WELD BEAD TYP 2 PLACES

49.03 DIA REF

17.690 REF

18.390 ± .025 REF

.064 ± .003 EXCEPT AT WELD REINFORCEMENTS REF

.083 REF TYP

.50 R REF TYP

△ TYP 32 PLACES

.700 ± .015 REF TYP

.193 ± .020 REF TYP

1.46 ± .06 REF TYP

6.205 ± .025 REF

|   |           |       |           |
|---|-----------|-------|-----------|
| Pressure Systems, Inc.<br>LOS ANGELES, CALIFORNIA |           |       |           |
| PROPELLANT TANK ASSY                              |           |       |           |
| CODE IDENT NO.<br>18229                           | SIZE<br>E | 80367 | REV.<br>B |
| SCALE NOTED                                       | SHEET     |       | 2 OF 3    |

