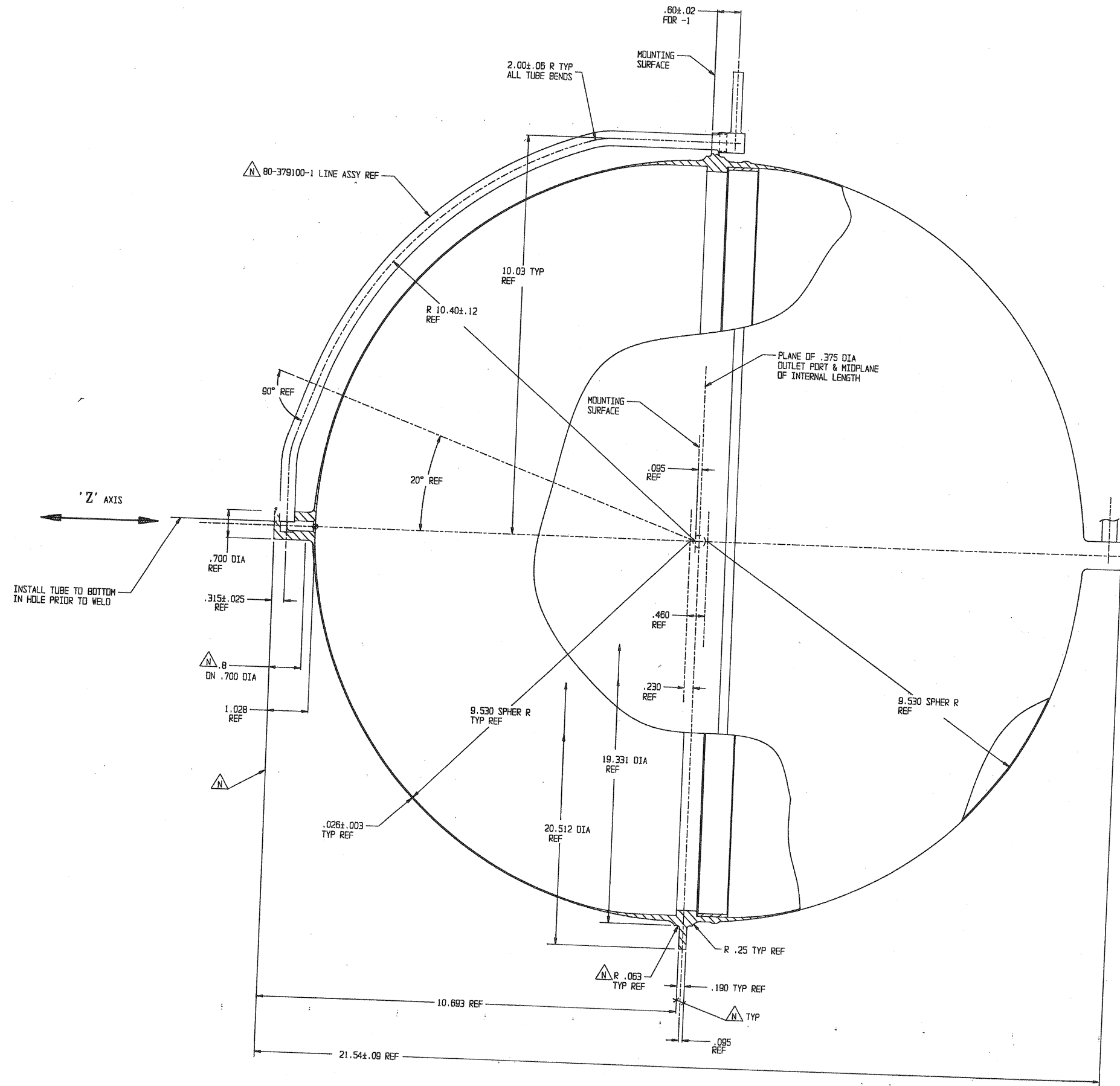


SECTION K-K

PRESSURE SYSTEMS, INC.
 LOS ANGELES, CALIFORNIA

OXIDIZER TANK, NEAR

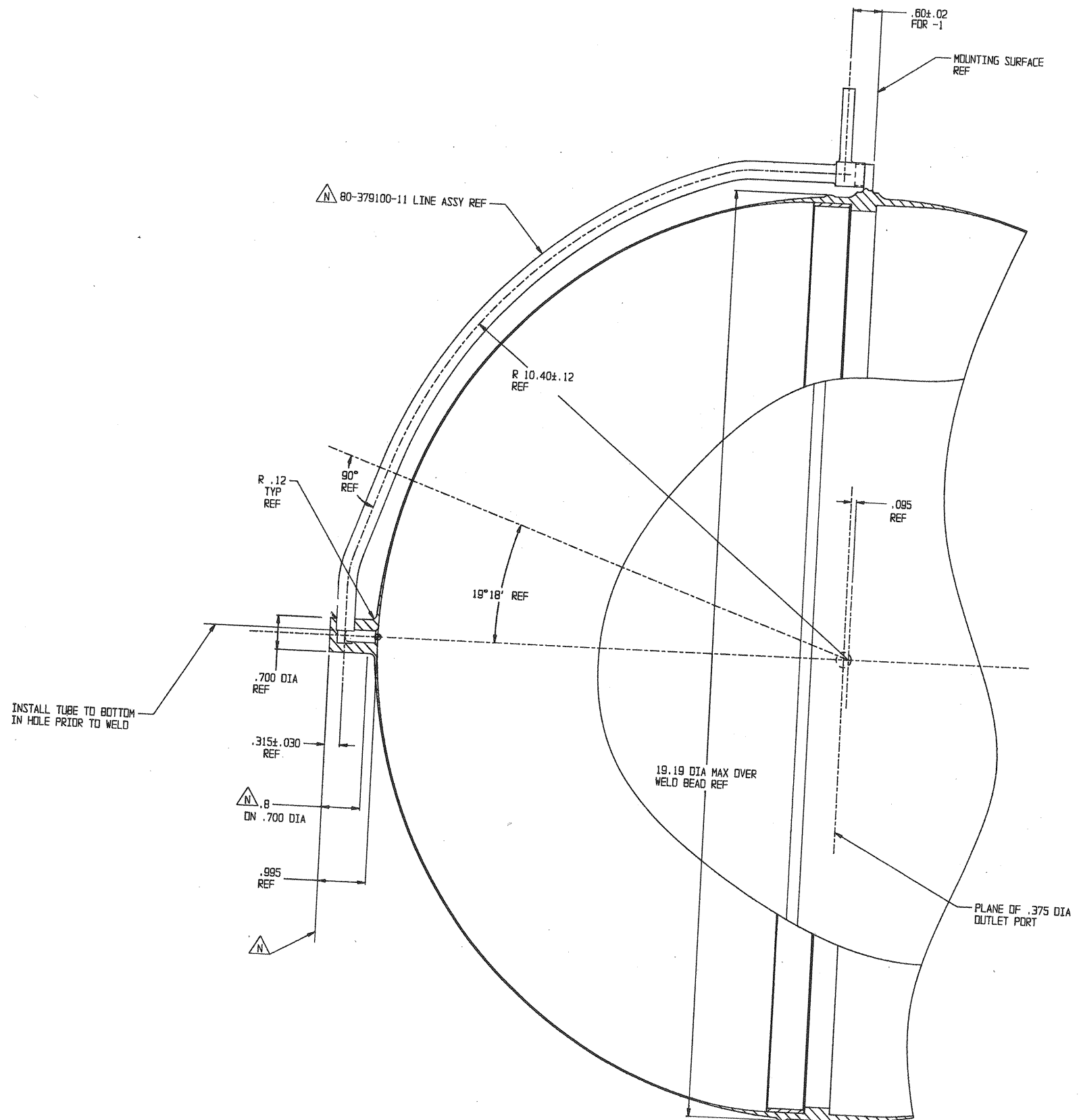
CAGE CODE	SIZE	QTY NO.	REV.
18229	E	80379	A
SCALE: 1/1	SHEET		1 OF 3



PRESSURE SYSTEMS, INC.
LOS ANGELES, CALIFORNIA

OXIDIZER TANK, NEAR

CASE DATE	SIZE	DWG NO.	REV.
18229	E	80379	NC



PRESSURE SYSTEMS, INC.
LOS ANGELES, CALIFORNIA

OXIDIZER TANK, NEAR

CAGE CODE	SIZE	DWG NO.	REV.
18229	E	80379	NC

SCALE: 1/1 SHEET 3 OF 3