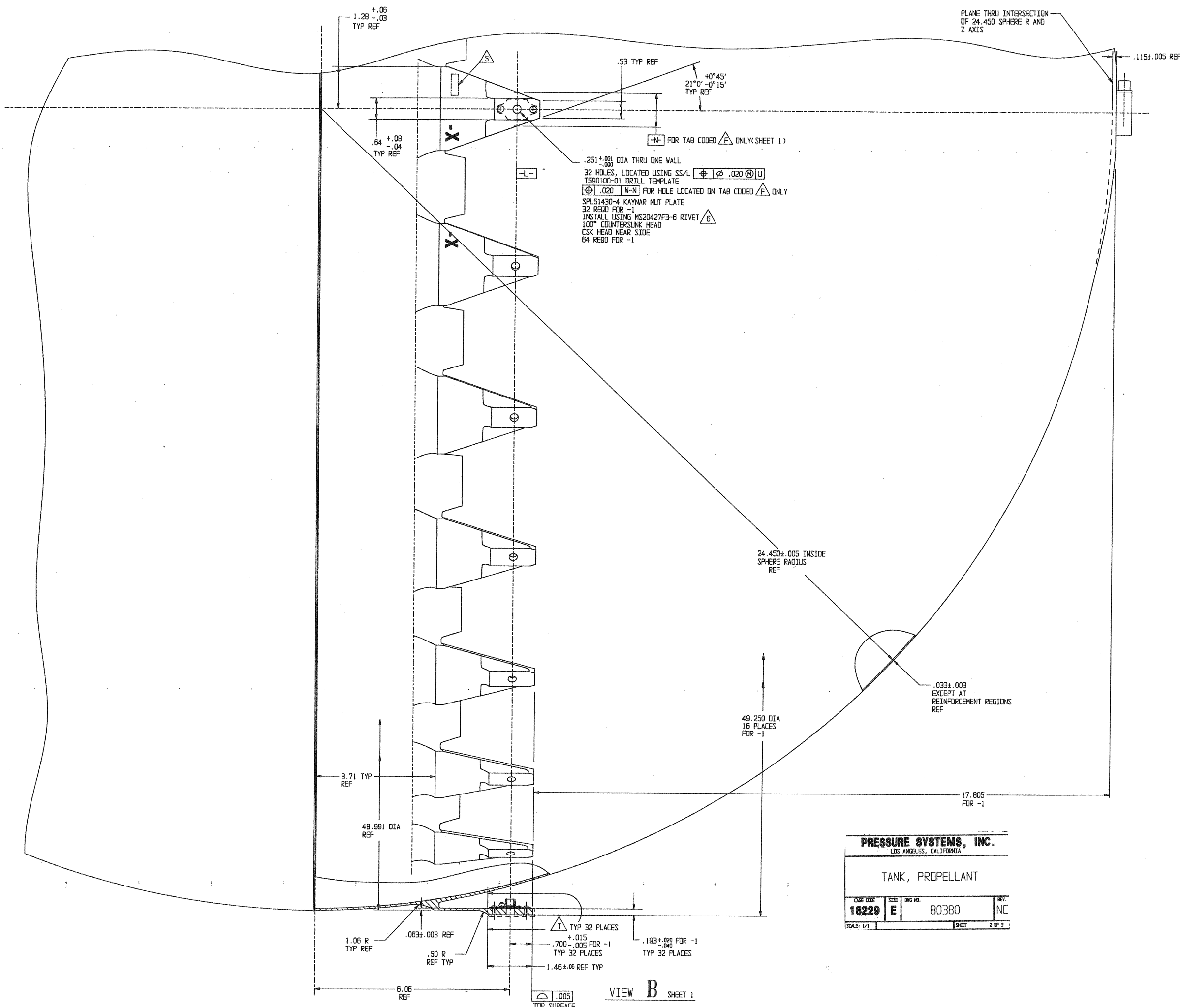
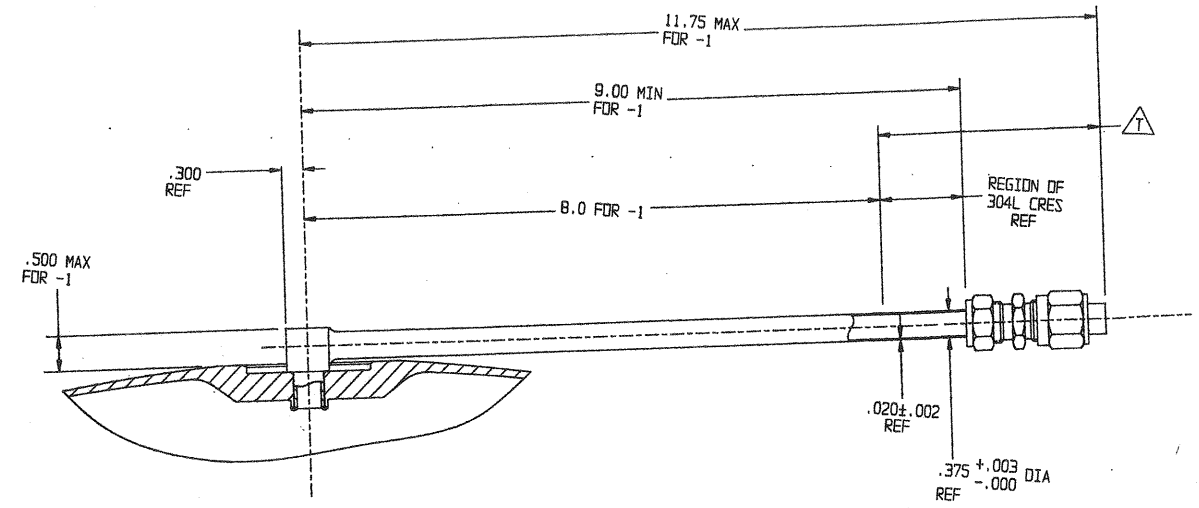


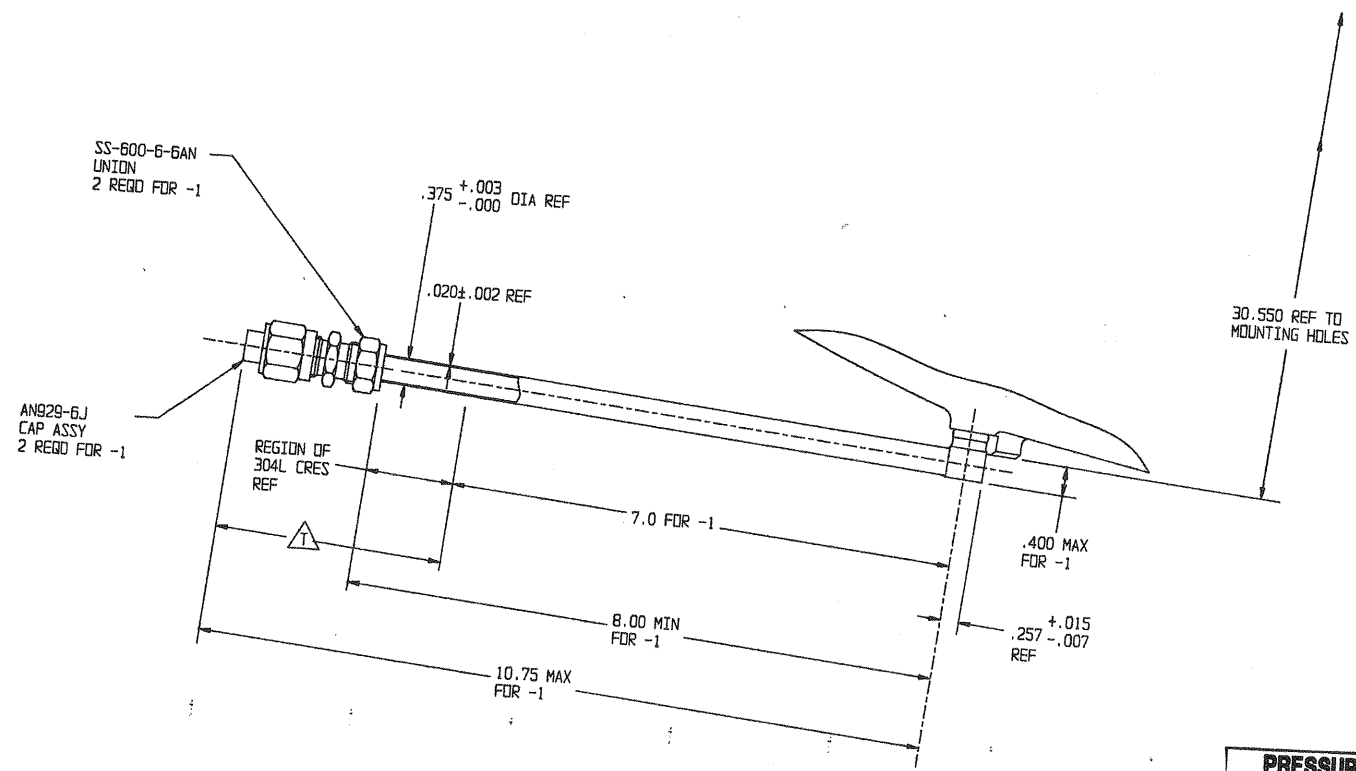
PRESSURE SYSTEMS, INC. LOS ANGELES, CALIFORNIA			
TANK, PROPELLANT			
CASE CODE 18229	SIZE E	DWG NO. 80380	REV. NC
SCALE: 1/4"	SHEET		1 OF 3



PRESSURE SYSTEMS, INC.			
LOS ANGELES, CALIFORNIA			
TANK, PROPELLANT			
CAGE CODE	SIZE	ENG. NO.	REV.
18229	E	80380	NC
SCALE: 1/1	SHEET		2 OF 3



SECTION A-A SHEET 1



SECTION G-G SHEET 1

PRESSURE SYSTEMS, INC.
LOS ANGELES, CALIFORNIA

TANK, PROPELLANT

CAGE CODE	SIZE	QWG NO.	REV.
18229	E	80380	NC
SCALE: 1/1	SHEET		3 OF 3