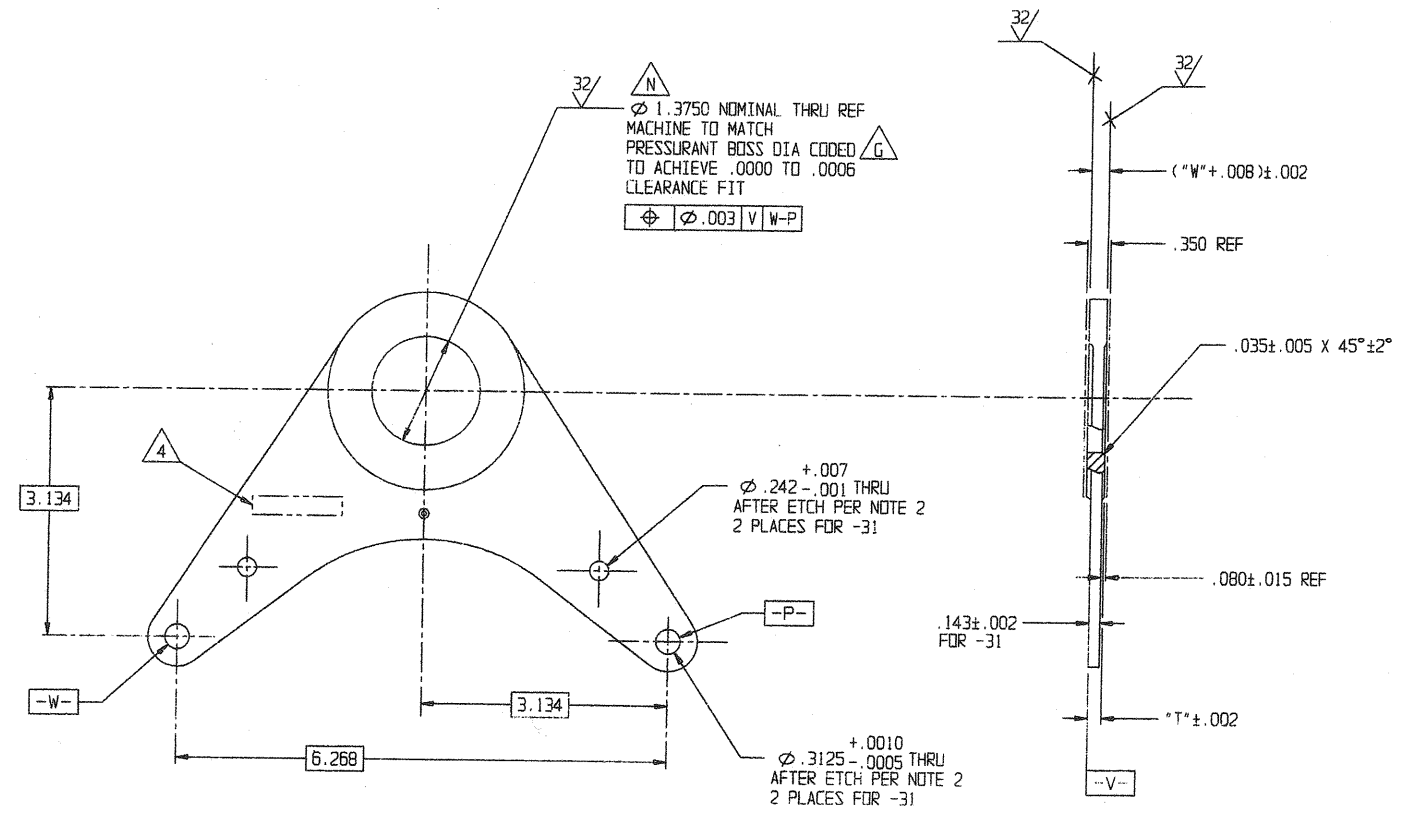


VIEW X SHEET 1
-31 FLEX PLATE - MATCHED &
NAS1149C2090R WASHER & NAS1423C20 NUT
OMITTED FOR CLARITY



ATK SPACE SYSTEMS, INC.
LOS ANGELES, CALIFORNIA

PROPELLANT TANK ASSY -
FUEL, P80/A

CAGE CODE	SIZE	QWG NO.	REV.
18229	E	80395	C

SCALE: 1/1 | SHEET 3 OF 3