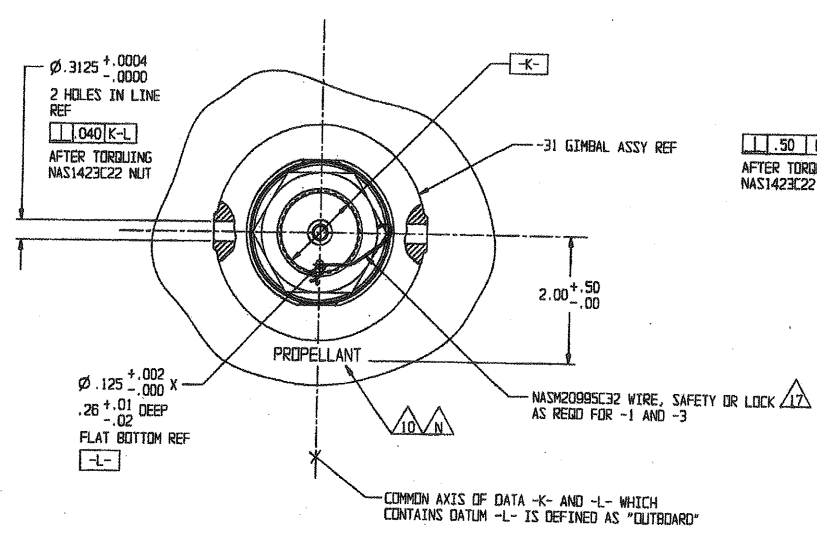


**-1 AND -3 ASSY**

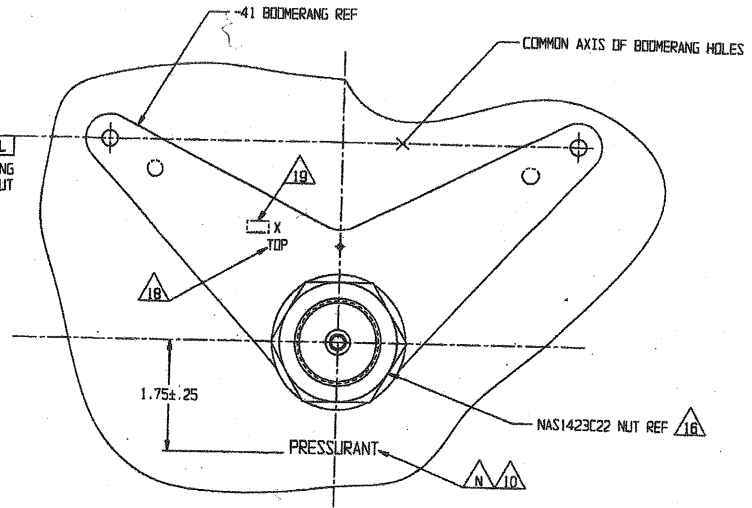
**PRESSURE SYSTEMS, INC.**  
LOS ANGELES, CALIFORNIA

TANK ASSY, HYDRAZINE

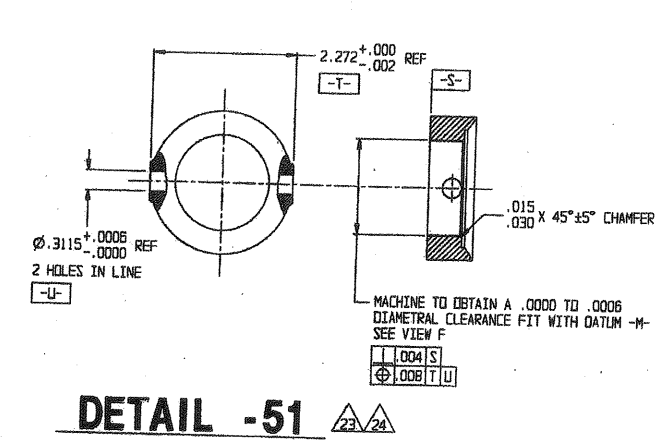
CAGE CODE	SIZE	QTY	REV.
18229	E	80420	A
SCALE: 1/1	SHEET		1 OF 3



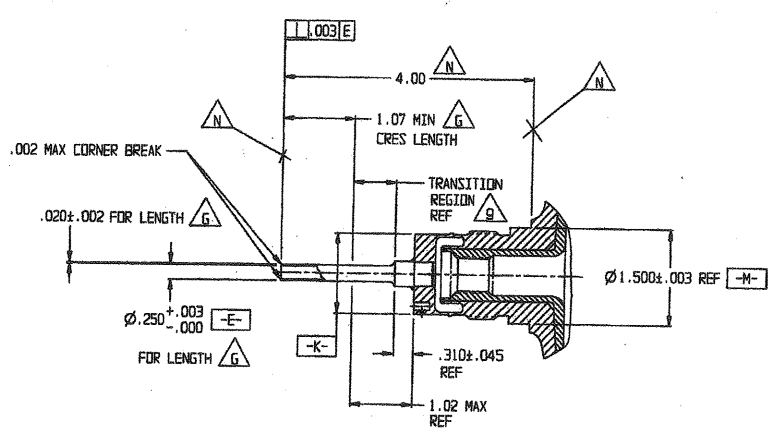
VIEW **A-A** SHEET 1 FOR -1 AND -3



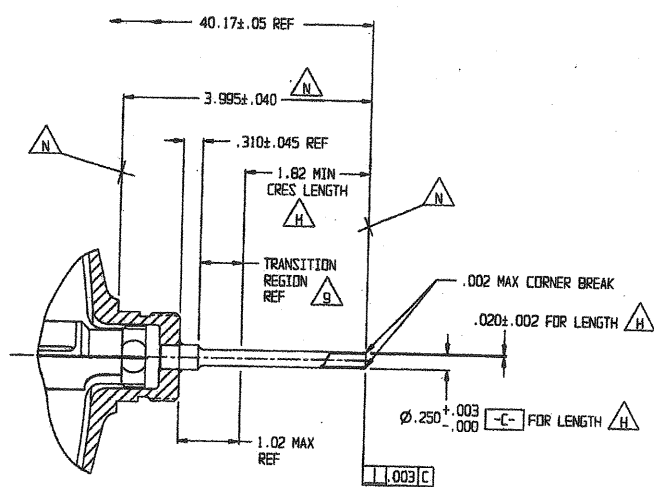
VIEW **B-B** SHEET 1 FOR -1 AND -3



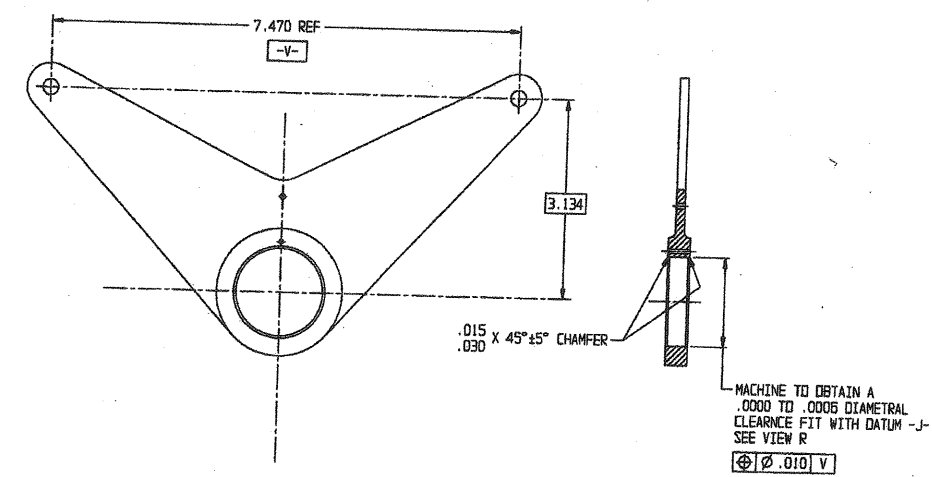
DETAIL **-51** 23 24



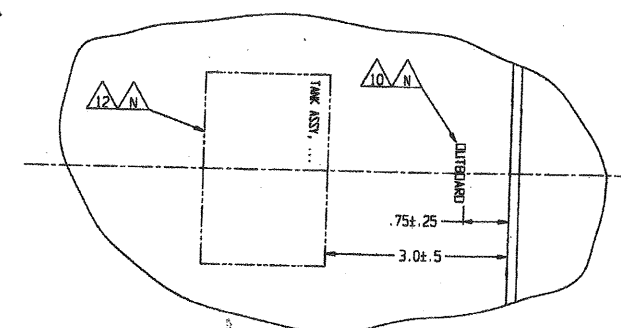
VIEW **F** SHEET 1 FOR -1 AND -3  
-31 GIMBAL ASSY AND ATTACHING HARDWARE OMITTED FOR CLARITY



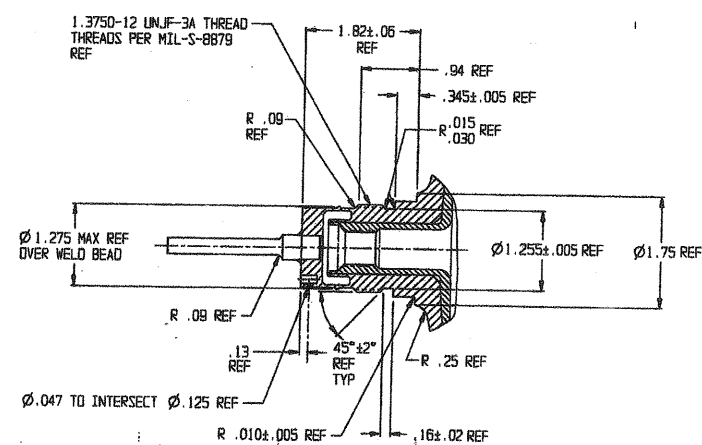
VIEW **D** SHEET 1 FOR -1 AND -3  
-41 BOOMERANG AND ATTACHING HARDWARE OMITTED FOR CLARITY



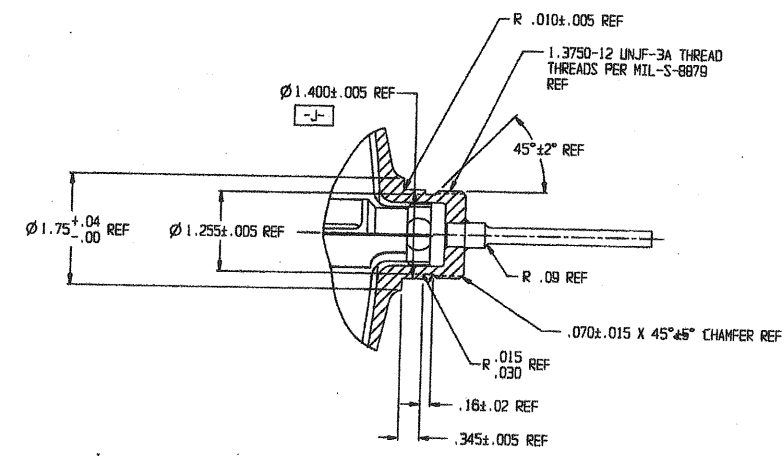
DETAIL **-41** 22 23 24



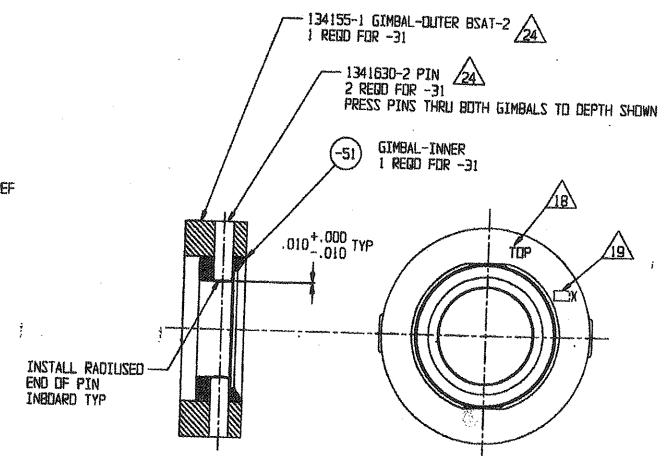
VIEW **W-W** SHEET 1 FOR -1 AND -3



VIEW **M** SHEET 1 FOR -1 AND -3  
-31 GIMBAL ASSY AND ATTACHING HARDWARE OMITTED FOR CLARITY



VIEW **R** SHEET 1 FOR -1 AND -3  
-41 BOOMERANG AND ATTACHING HARDWARE OMITTED FOR CLARITY



**-31 ASSY** 18

PRESSURE SYSTEMS, INC. LOS ANGELES, CALIFORNIA			
TANK ASSY, HYDRAZINE			
CHG CODE <b>18229</b>	SIZE <b>E</b>	DRG NO. <b>80420</b>	REV. <b>A</b>
SCALE: 1/1		SHEET 2 OF 3	

