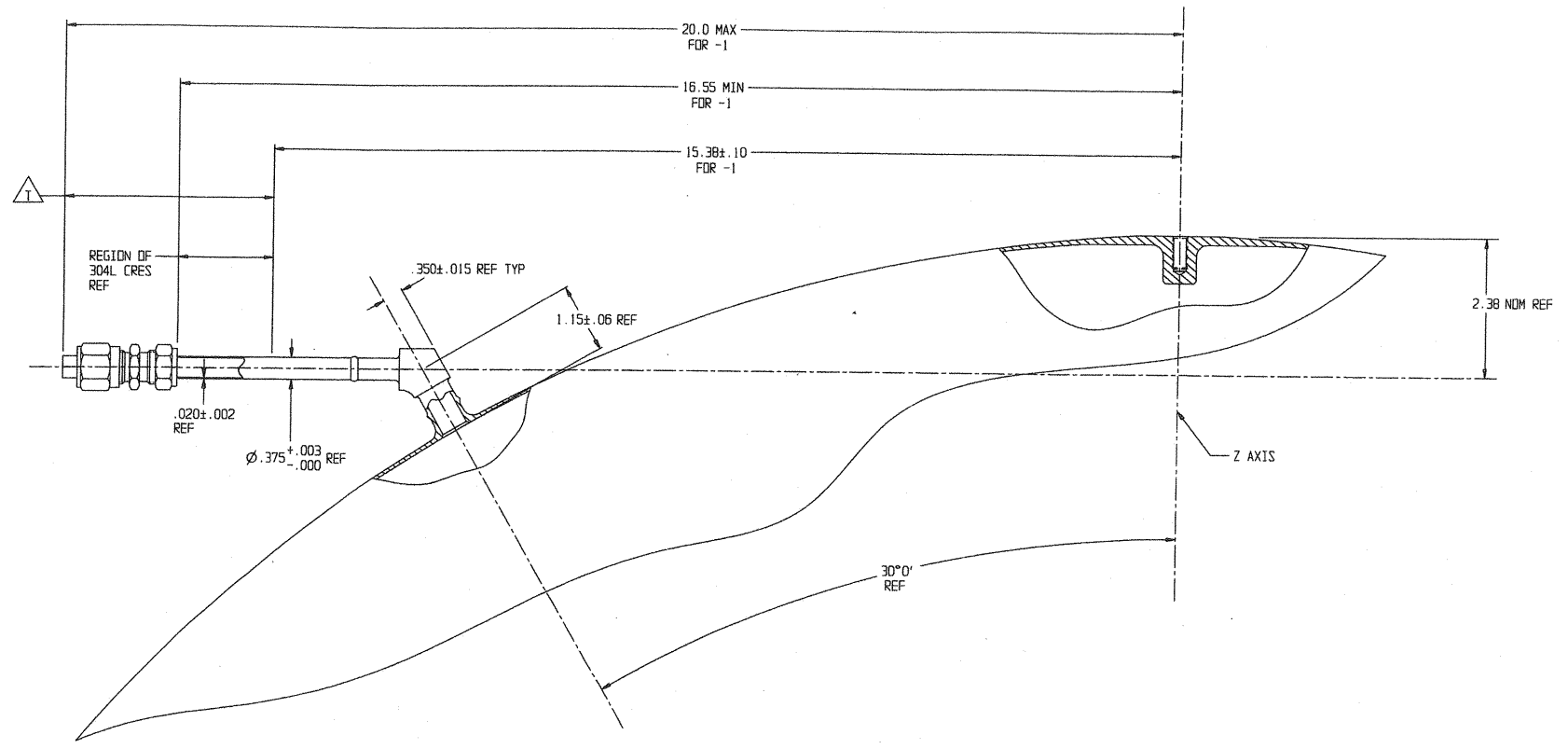
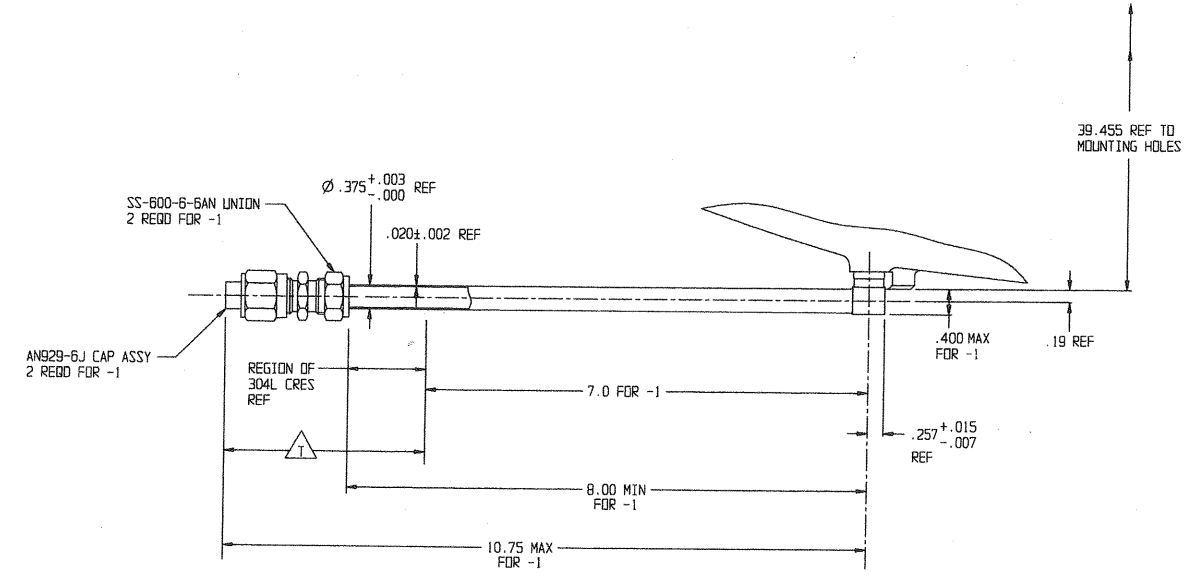


VIEW B SHEET 1
SCALE: 1/1

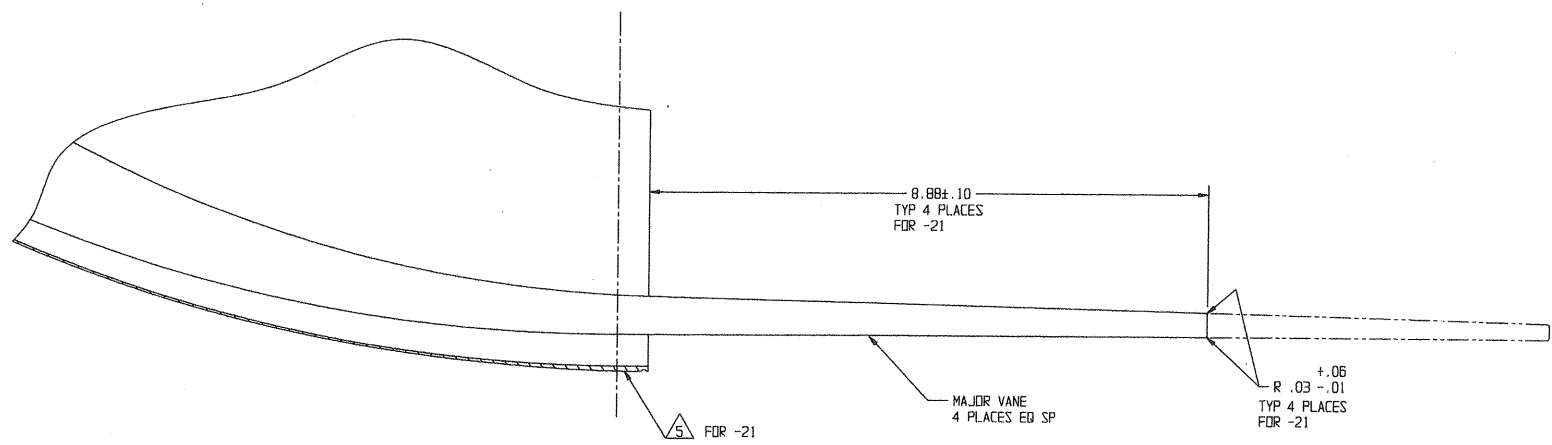
PRESSURE SYSTEMS, INC. LOS ANGELES, CALIFORNIA			
TANK, PROPELLANT			
CAGE CODE	SIZE	ING NO.	REV.
18229	E	80441	A
SCALE: 1/1	SHEET		2 OF 3



SECTION **A-A** SHEET 1
VIEW ROTATED 5°37'30" CLOCKWISE



SECTION **G-G** SHEET 1
VIEW ROTATED 50°37'30" COUNTERCLOCKWISE



VIEW **C** SHEET 1
80-422080-1 OMITTED FOR CLARITY

PRESSURE SYSTEMS, INC. LOS ANGELES, CALIFORNIA			
TANK, PROPELLANT			
DATE CODE 18229	REV E	ENG. NO. 80441	REV. NC
SCALE: 1/1		SHEET 3 OF 3	