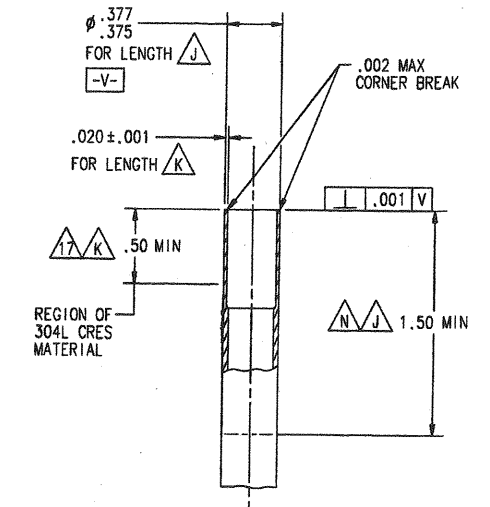
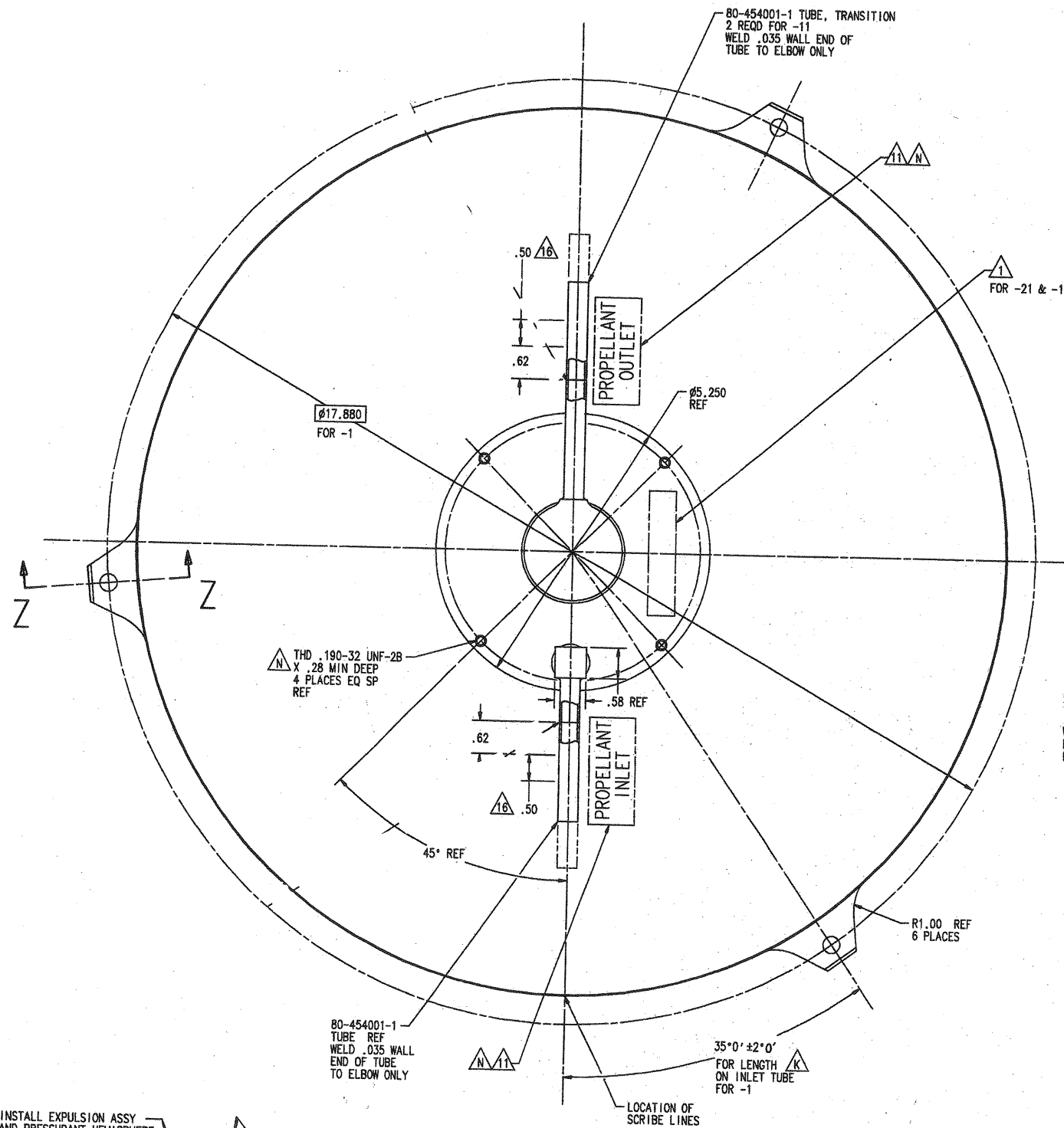


X SHEET 2

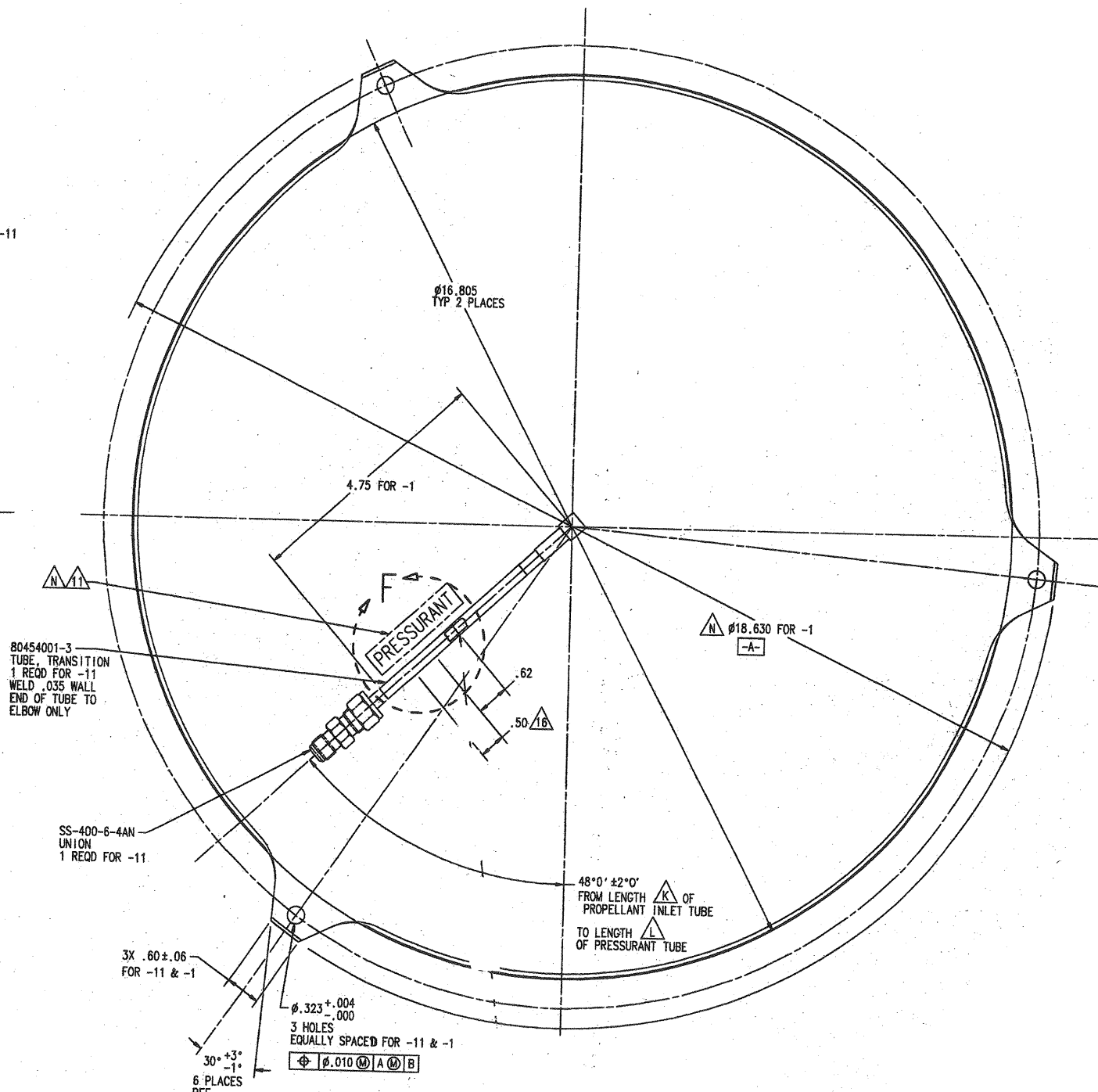
Y SHEET 2



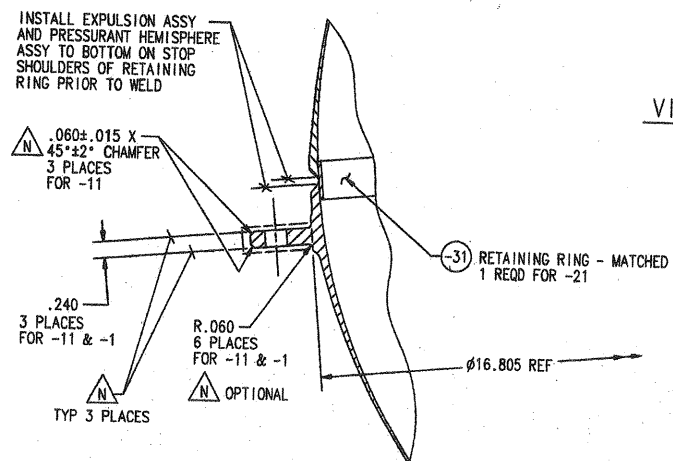
PRESSURE SYSTEMS, INC. LOS ANGELES, CALIFORNIA			
TANK ASSY, PROPELLANT			
CAGE CODE 18229	SIZE E	QWG NO. 80454	REV. A
SCALE: 1/1	SHEET	1 OF 3	



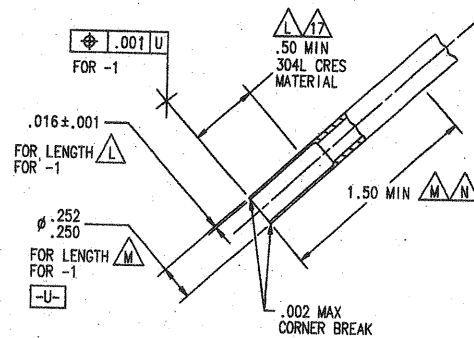
VIEW X-X SHEET 1



VIEW Y-Y SHEET 1

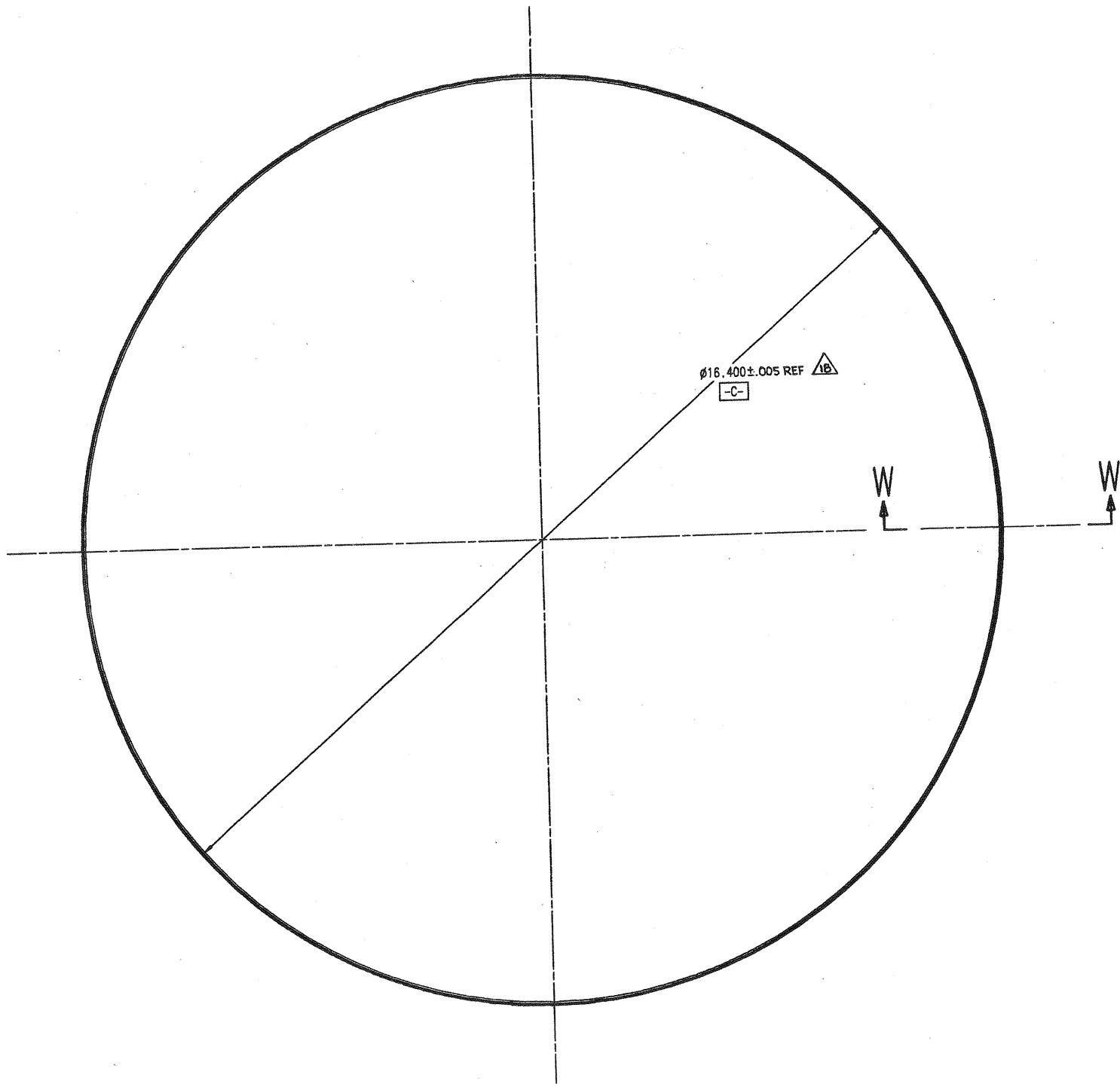


SECTION Z-Z

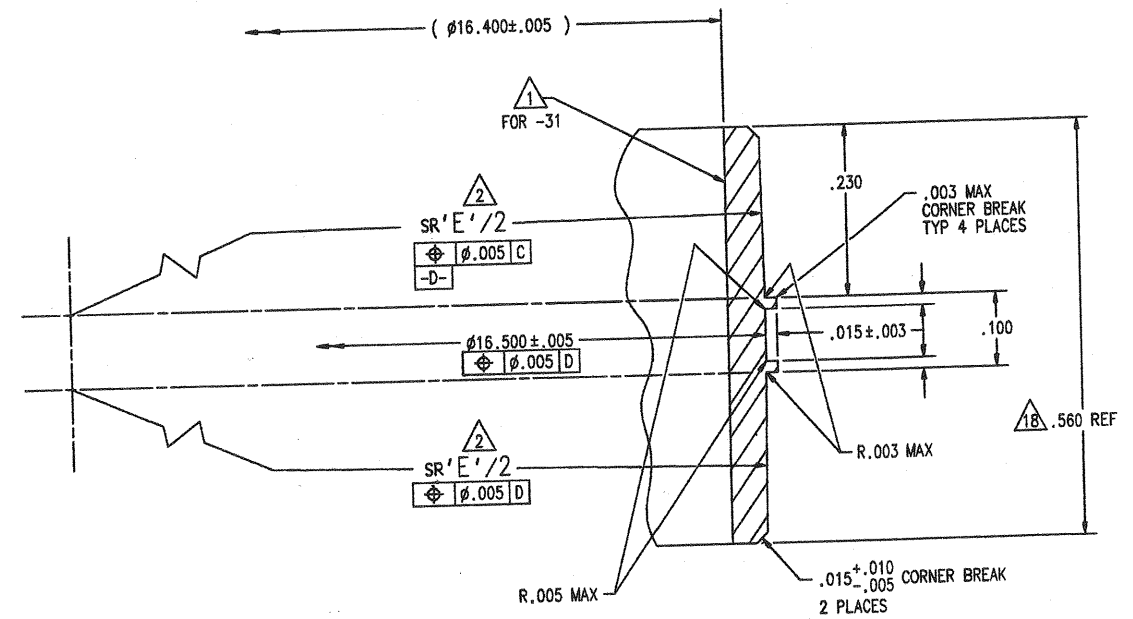


VIEW F  
SCALE: 2/1

PRESSURE SYSTEMS, INC. LOS ANGELES, CALIFORNIA			
TANK ASSY, PROPELLANT			
DATE CODE 18229	SIZE E	DWG NO. 80454	REV. NC
SCALE: 1/1		SHEET 2 OF 3	



DETAIL -31



SECTION W-W  
SCALE: 10/1

PRESSURE SYSTEMS, INC. LOS ANGELES, CALIFORNIA			
TANK ASSY, PROPELLANT			
CAGE CODE 18229	SIZE E	DWG NO. 80454	REV. NC
SCALE: 1/1	SHEET		3 OF 3