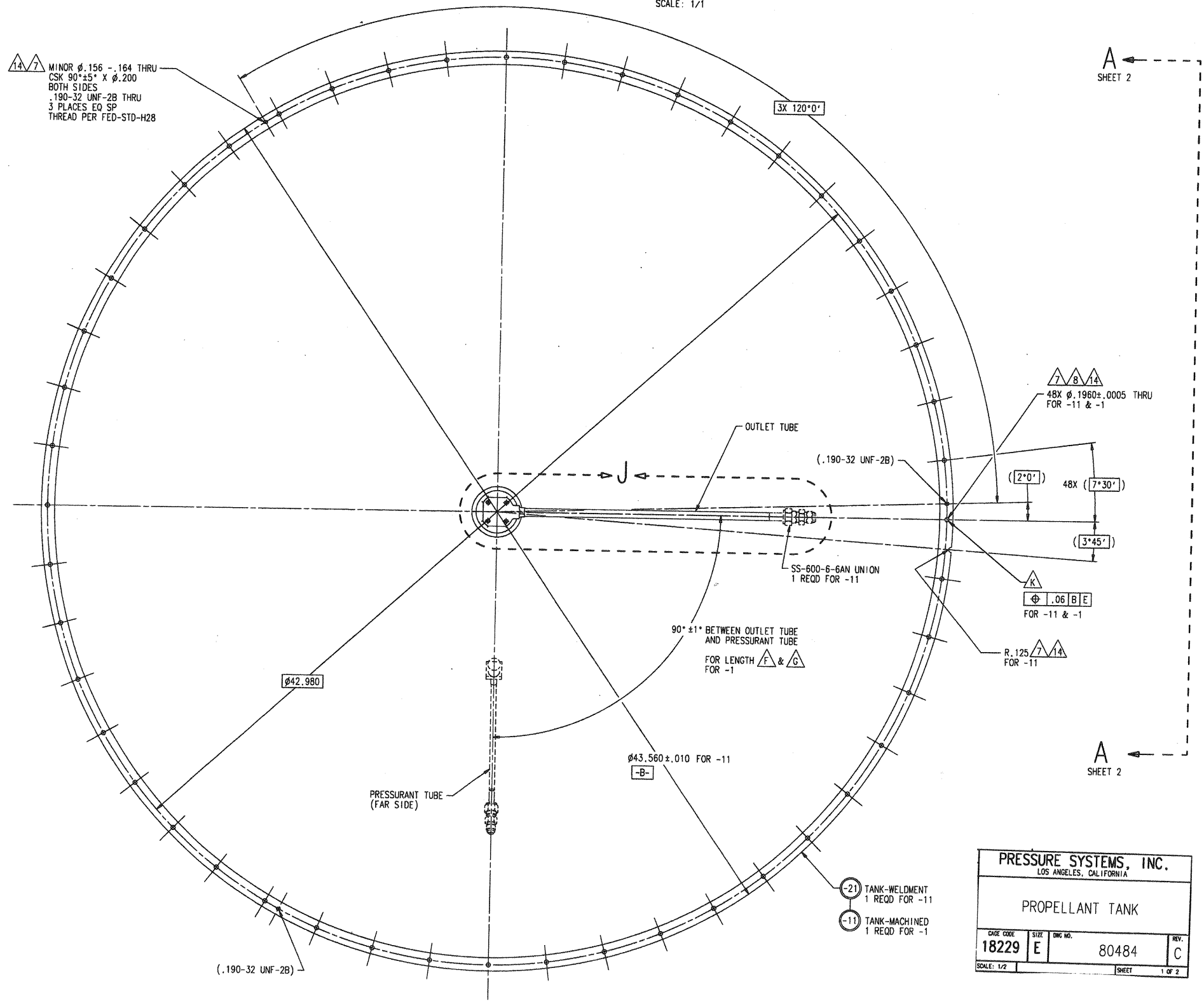


MINOR  $\phi$ .156 - .164 THRU  
CSK  $90^{\circ} \pm 5^{\circ}$  X  $\phi$ .200  
BOTH SIDES  
.190-32 UNF-2B THRU  
3 PLACES EQ SP  
THREAD PER FED-STD-H28



**PRESSURE SYSTEMS, INC.**  
LOS ANGELES, CALIFORNIA

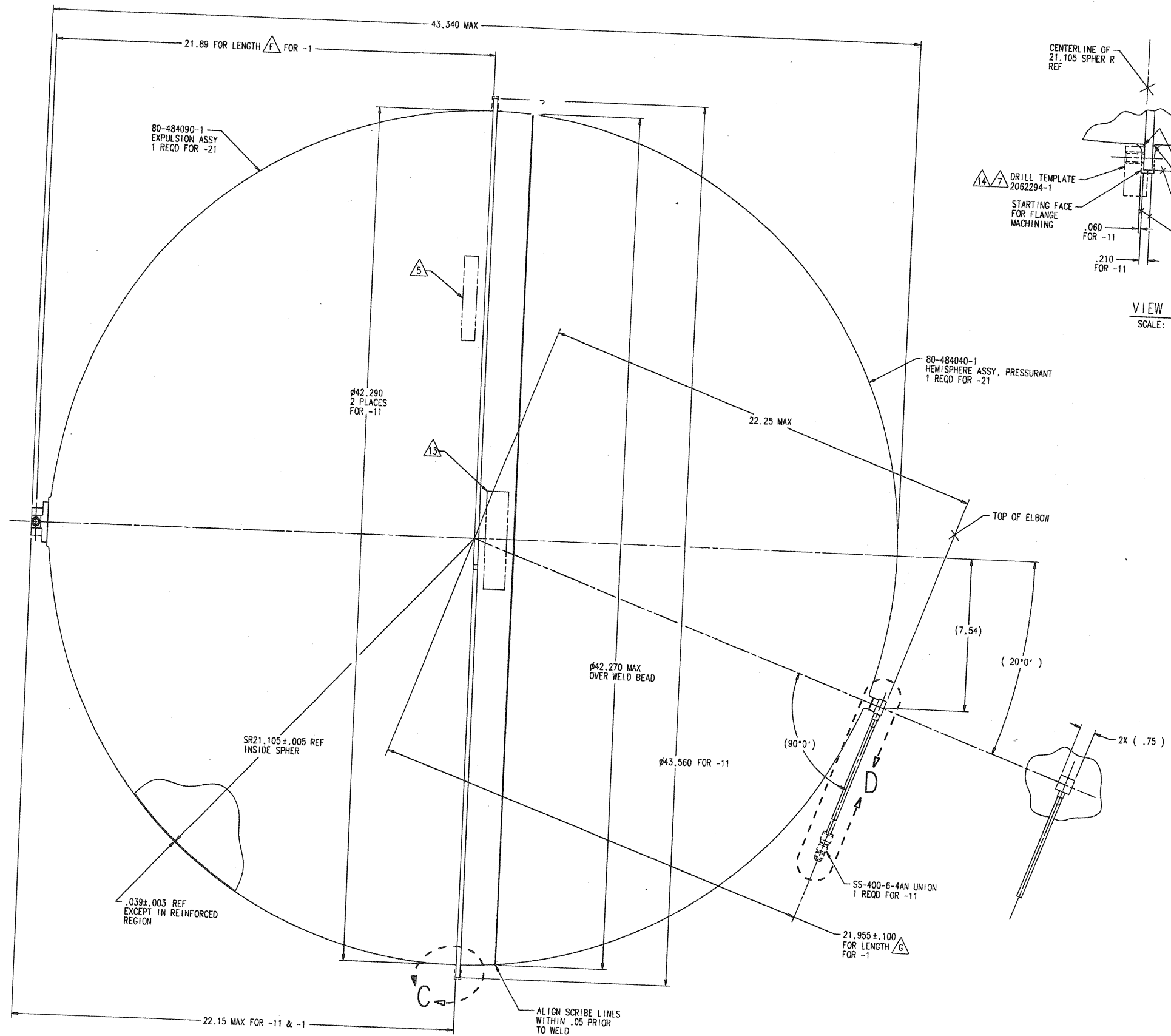
**PROPELLANT TANK**

CAGE CODE	SIZE	QWG NO.	REV.
18229	E	80484	C
SCALE: 1/2		SHEET 1 OF 2	

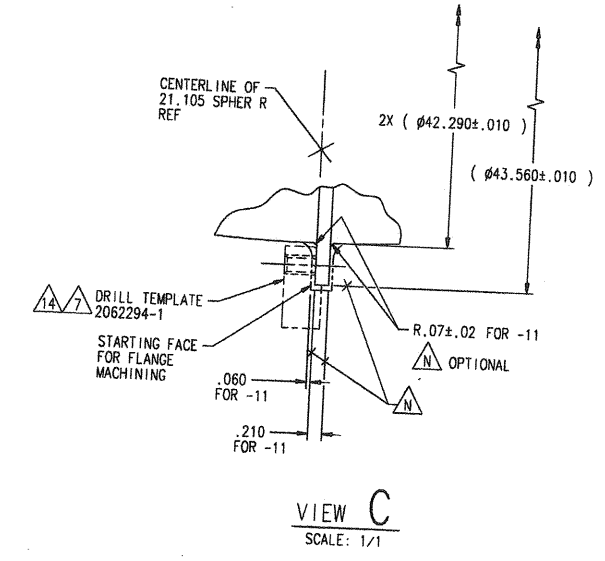
- (-21) TANK-WELDMENT  
1 REQD FOR -11
- (-11) TANK-MACHINED  
1 REQD FOR -1

A  
SHEET 2

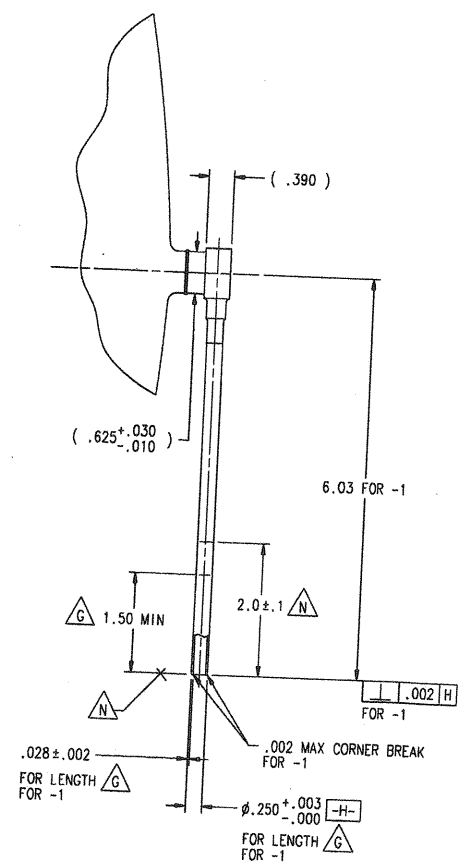
A  
SHEET 2



VIEW A-A SHEET 1



VIEW C  
SCALE: 1/1



VIEW D  
SCALE: 1/1 (VIEW ROTATED 20° CCW)

PRESSURE SYSTEMS, INC. LOS ANGELES, CALIFORNIA			
PROPELLANT TANK			
DATE CODE 18229	SIZE E	ENG. NO. 80484	REV. B
SCALE: 1/2	SHEET		2 OF 2