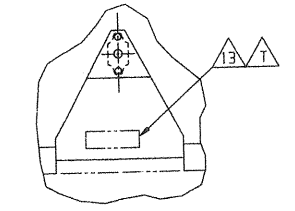
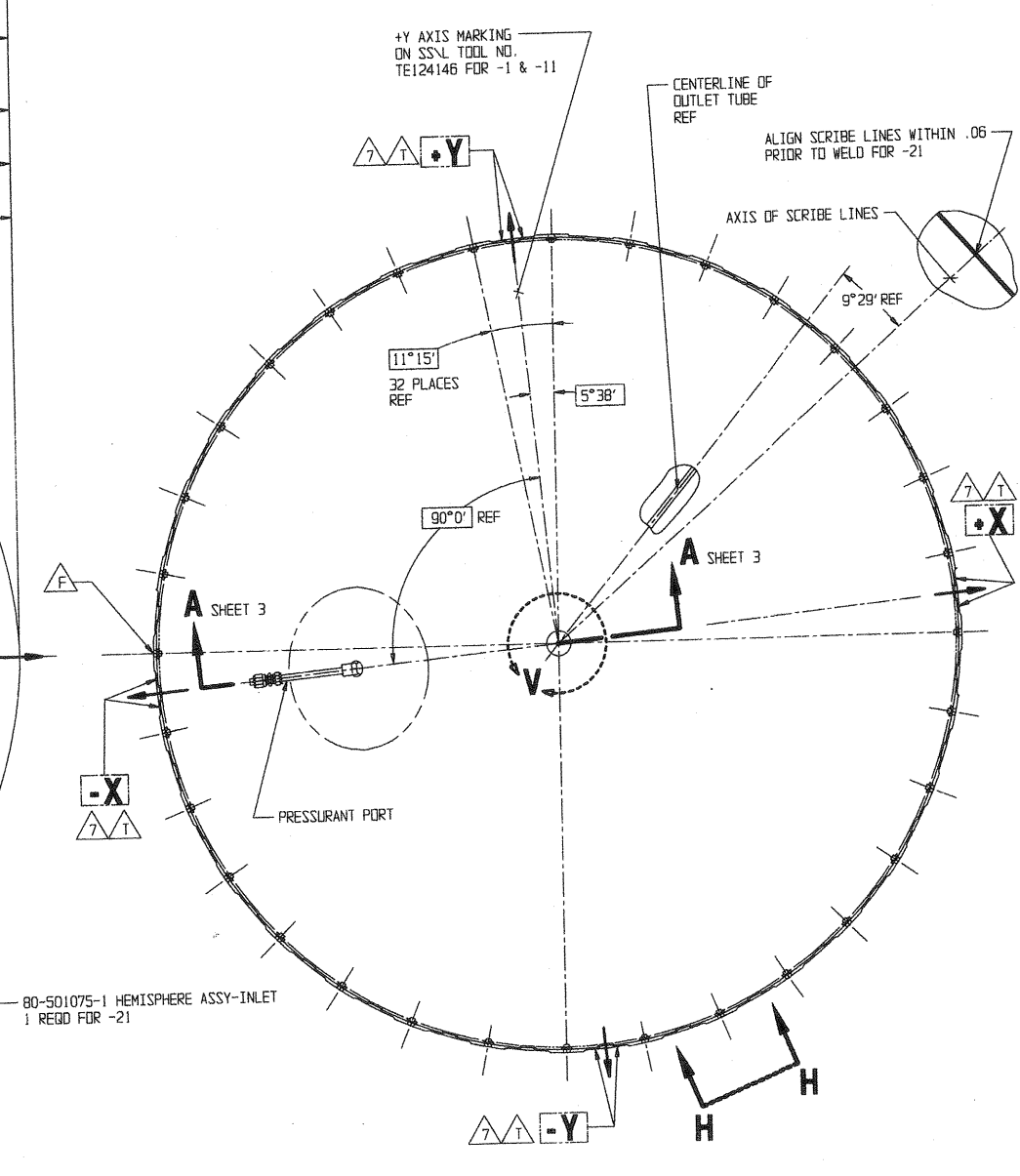
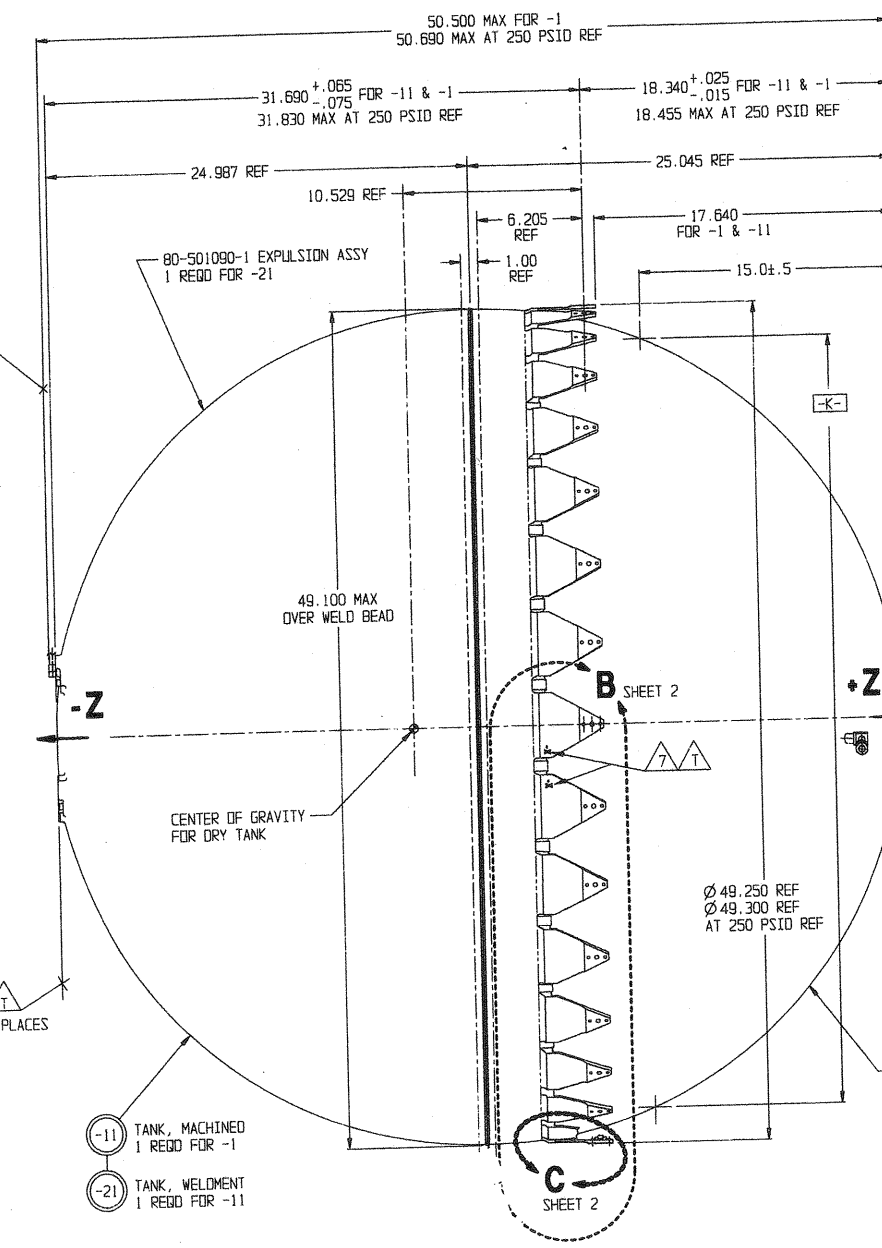
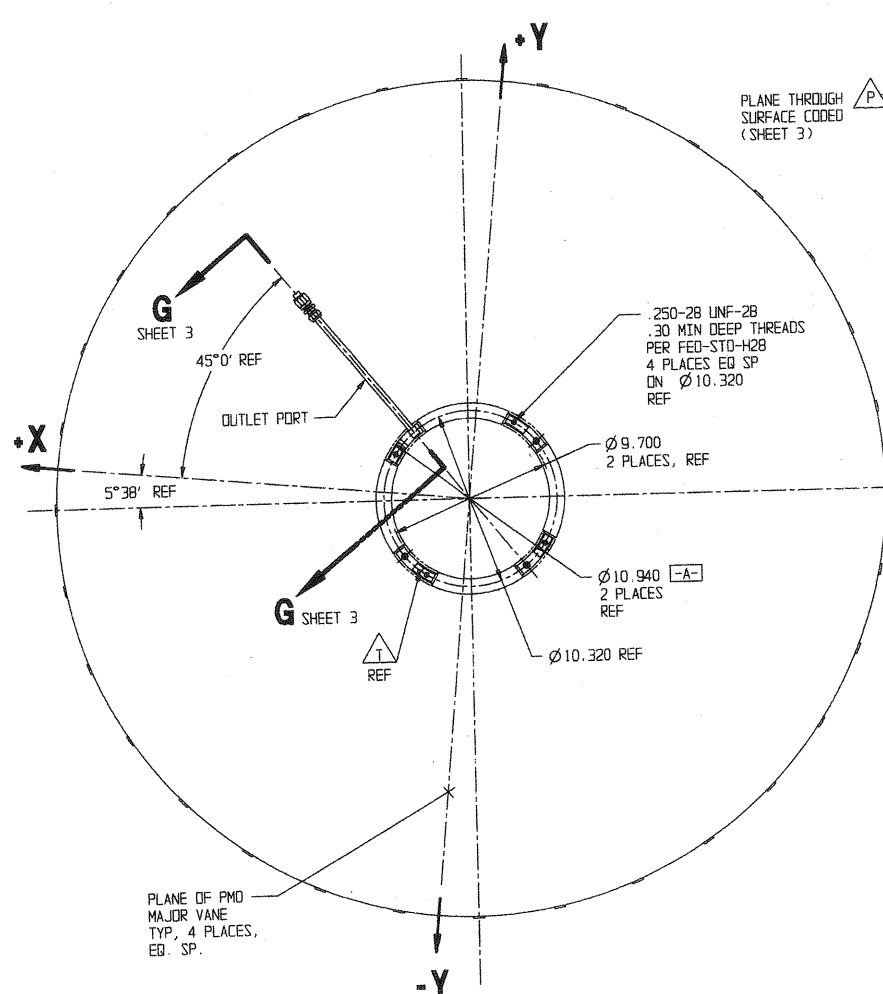


**VIEW V**  
SCALE: 2/1 & N/S  
FOR CENTER OF GRAVITY

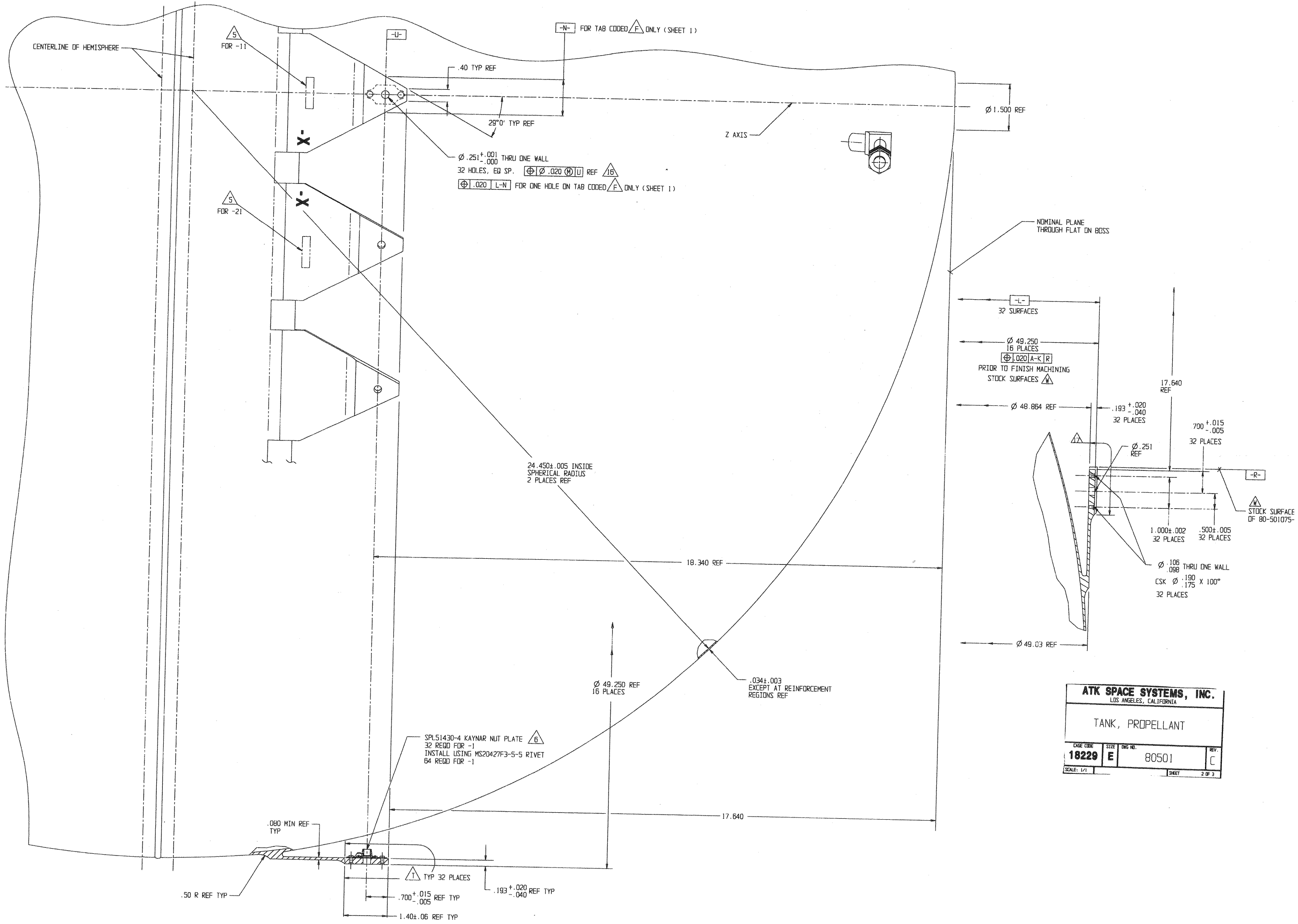


**VIEW H-H**  
SCALE: 1/2  
VIEW ROTATED 22°30' CLOCKWISE

**ATK SPACE SYSTEMS, INC.**  
LOS ANGELES, CALIFORNIA

TANK, PROPELLANT

CASE CODE	SIZE	DRG NO.	REV.
18229	E	80501	0
SCALE: 1/4	SHEET		1 OF 3



CENTERLINE OF HEMISPHERE

5 FOR -11

-U-

-N- FOR TAB CODED E ONLY (SHEET 1)

.40 TYP REF  
29°0' TYP REF

Ø 1.500 REF

Z AXIS

Ø .251<sup>+0.001</sup><sub>-.000</sub> THRU ONE WALL  
32 HOLES, EQ SP. [Ø .020 (M) U] REF 16  
[Ø .020 (L) N] FOR ONE HOLE ON TAB CODED E ONLY (SHEET 1)

5 FOR -21

X-

X-

NOMINAL PLANE THROUGH FLAT ON BOSS

-L-

32 SURFACES

Ø 49.250  
16 PLACES  
[Ø .020 (A) K R]  
PRIOR TO FINISH MACHINING  
STOCK SURFACES

17.640 REF

Ø 48.864 REF

.193<sup>+0.020</sup><sub>-.040</sub>  
32 PLACES  
700<sup>+0.015</sup><sub>-.005</sub>  
32 PLACES

24.450<sup>±0.005</sup> INSIDE  
SPHERICAL RADIUS  
2 PLACES REF

1.000<sup>±0.002</sup>  
32 PLACES  
.500<sup>±0.005</sup>  
32 PLACES

Ø .106<sub>.098</sub> THRU ONE WALL  
CSK Ø .190 X 100°  
32 PLACES

STOCK SURFACE OF 80-501075

18.340 REF

Ø 49.250 REF  
16 PLACES

.034<sup>±0.003</sup>  
EXCEPT AT REINFORCEMENT  
REGIONS REF

SPL51430-4 KAYNAR NUT PLATE 6  
32 REQD FOR -1  
INSTALL USING MS20427F3-5-5 RIVET  
64 REQD FOR -1

.080 MIN REF  
TYP

17.640

.50 R REF TYP

1 TYP 32 PLACES

.700<sup>+0.015</sup><sub>-.005</sub> REF TYP

.193<sup>+0.020</sup><sub>-.040</sub> REF TYP

1.40<sup>±0.06</sup> REF TYP

<b>ATK SPACE SYSTEMS, INC.</b> LOS ANGELES, CALIFORNIA			
TANK, PROPELLANT			
CAGE CODE	SIZE	DWG NO.	REV.
18229	E	80501	C
SCALE: 1/1	SHEET		2 OF 3

