

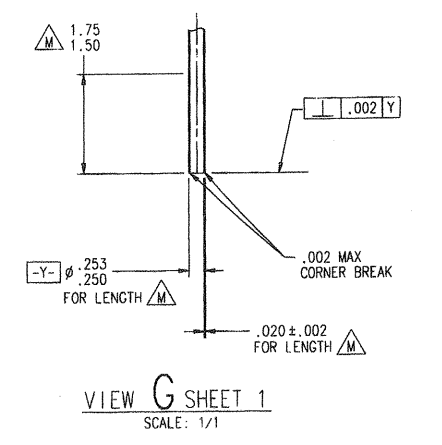
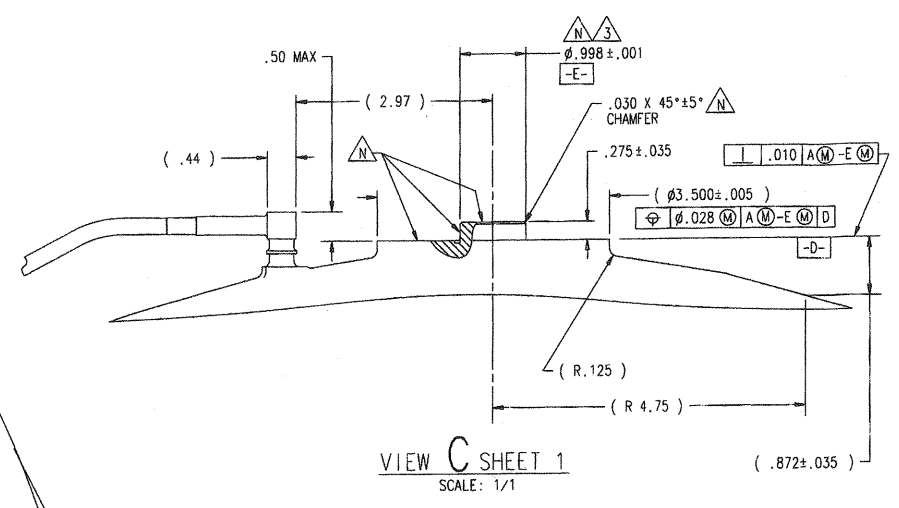
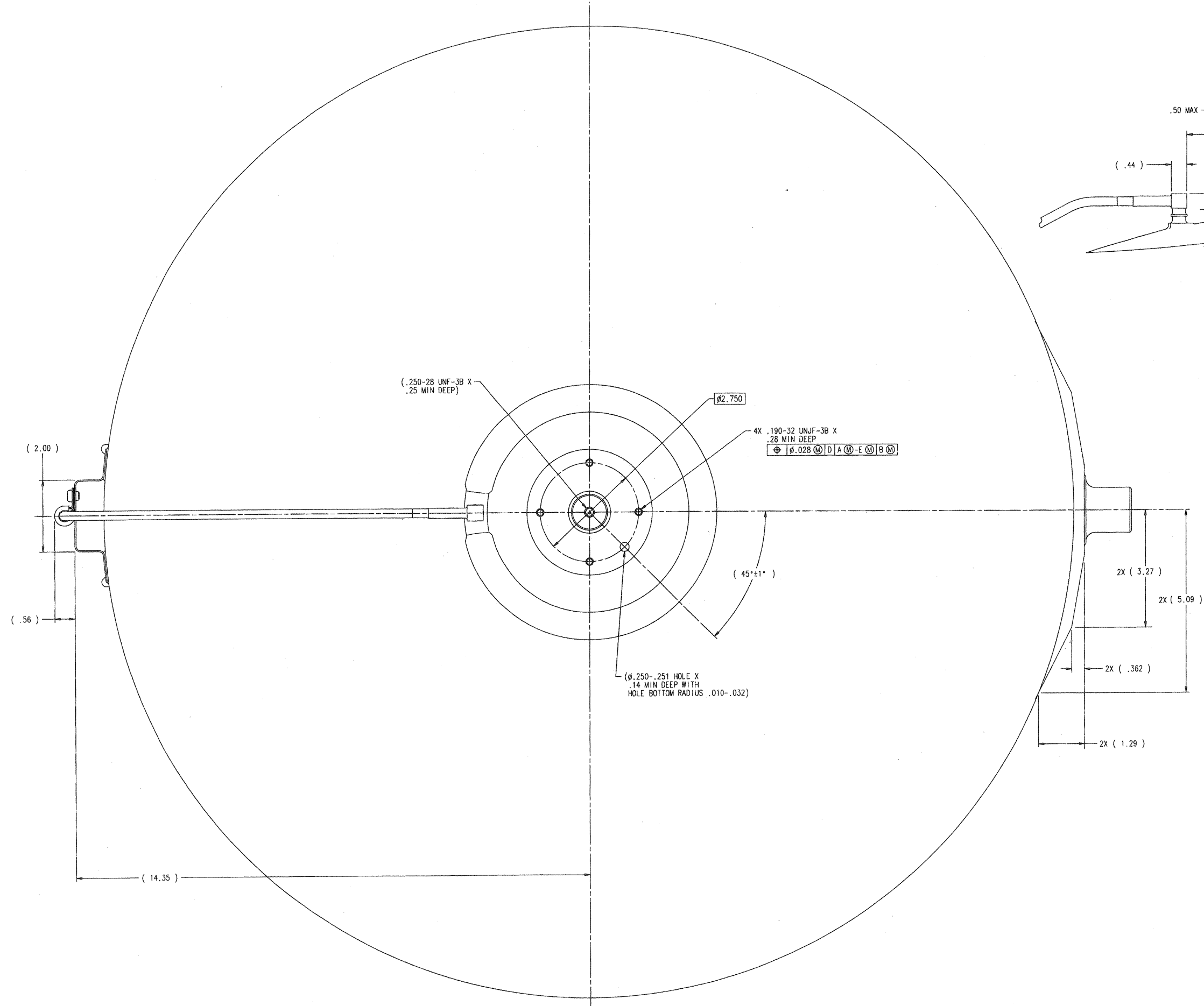
(71.00±.06 FOR -7 & -701
 66.00±.06 FOR -6
 61.00±.06 FOR -5
 55.00±.06 FOR -4
 49.00±.06 FOR -3
 43.00±.06 FOR -2
 37.00±.06 FOR -1)

-7 AND -701 ASSY SHOWN

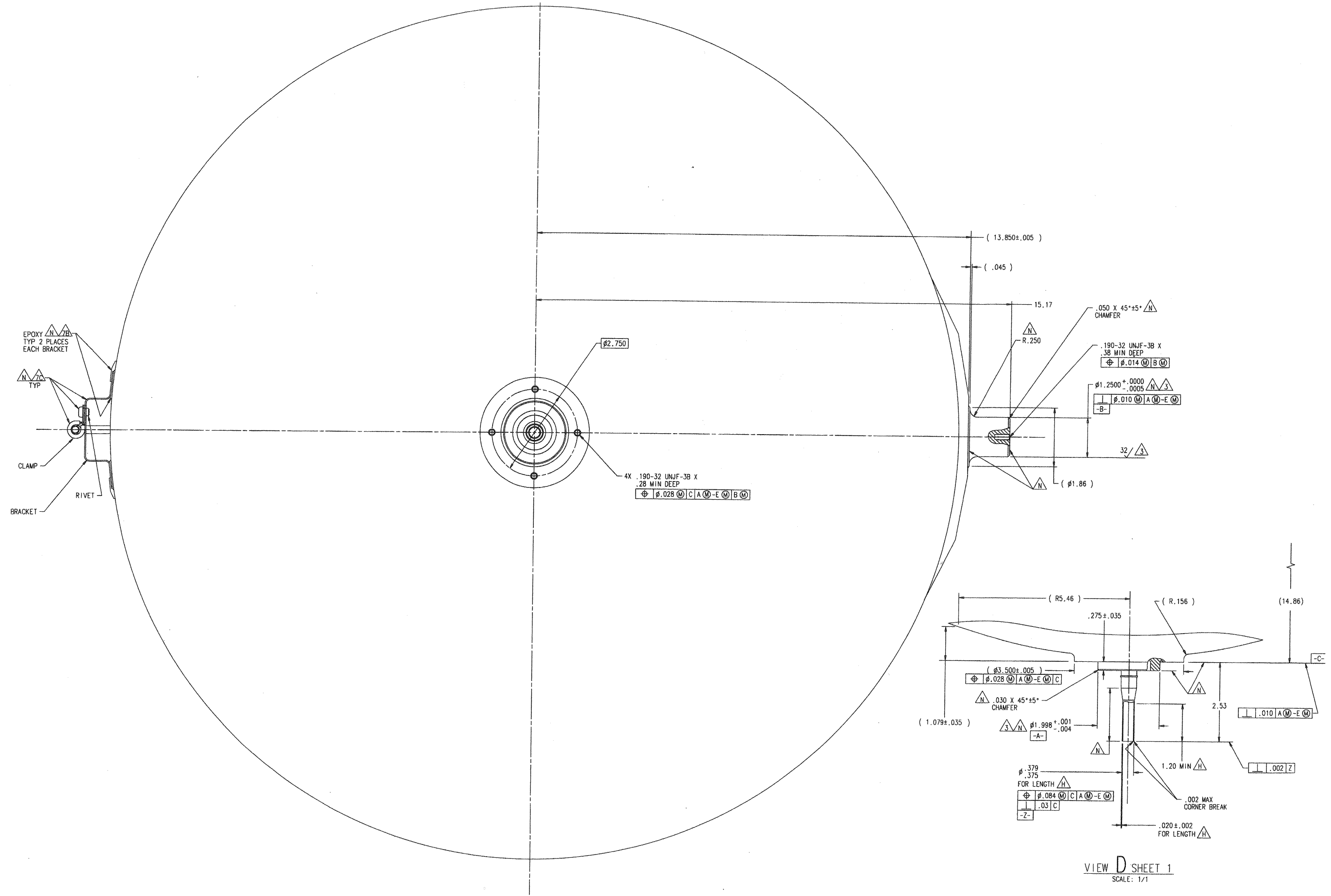
-1 THRU -6 ASSY SIMILAR

EXCEPT UPPER CENTER SECTION LENGTHS SHALL BE AS CODED Δ , AND PRESSURANT LINE AND ITS SUPPORT BRACKET LOCATIONS AS INDICATED AND AS SHOWN IN SHEET 4

ATK SPACE SYSTEMS, INC.			
LOS ANGELES, CALIFORNIA			
PROPELLANT TANK ASSY - OUTER			
CAGE CODE	SIZE	DWG NO.	REV.
18229	E	80506	A
SCALE: 1/4	SHEET		1 OF 4



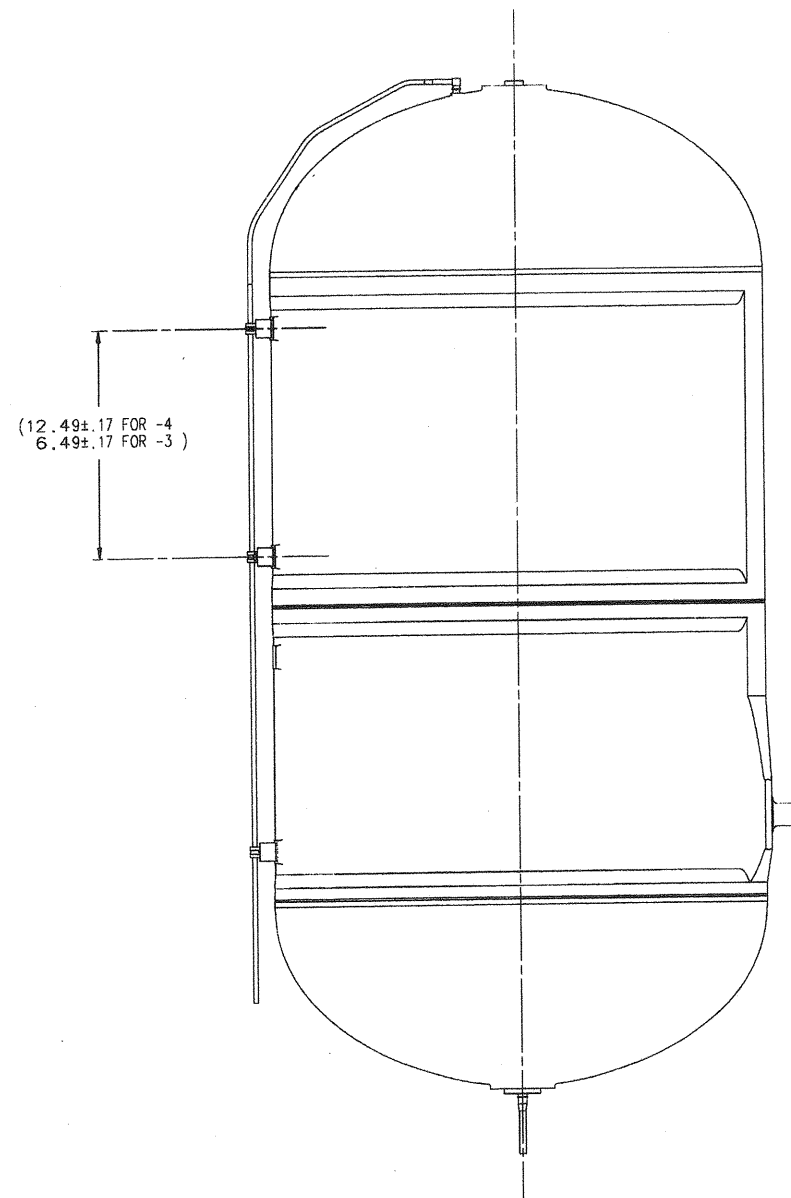
ATK SPACE SYSTEMS, INC.			
LOS ANGELES, CALIFORNIA			
PROPELLANT TANK ASSY - OUTER			
DWG CODE	SIZE	DWG NO.	REV.
18229	E	80506	-
SCALE: NOTED			SHEET 2 OF 4



VIEW B-B SHEET 1
SCALE: 1/1

VIEW D SHEET 1
SCALE: 1/1

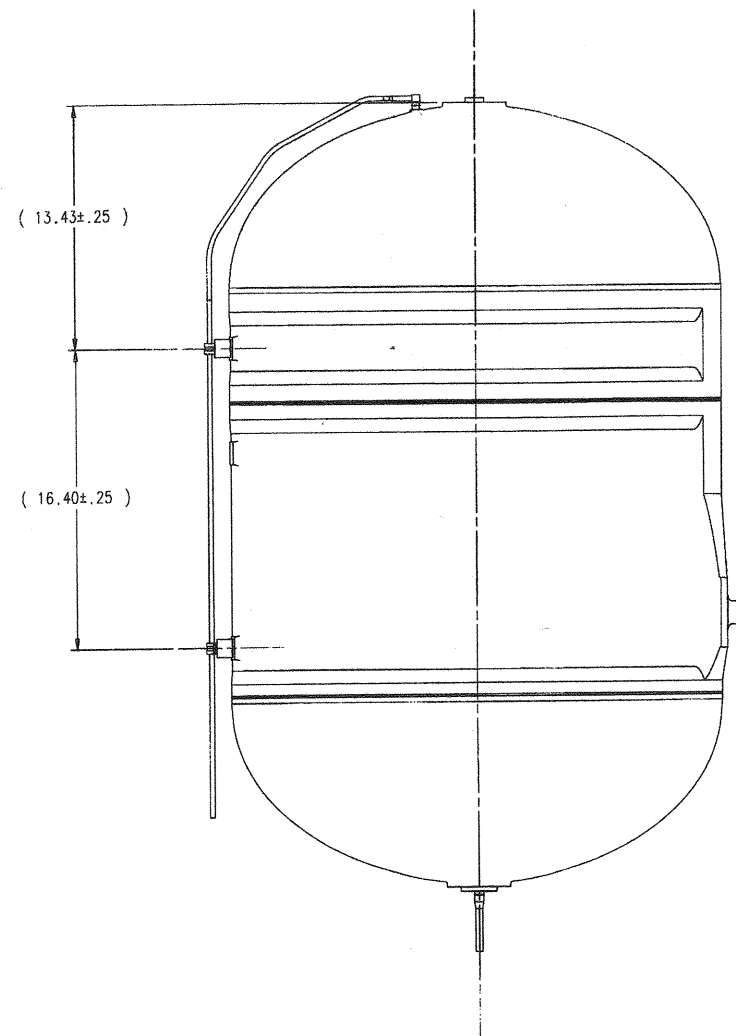
ATK SPACE SYSTEMS, INC.
 LOS ANGELES, CALIFORNIA
 PROPELLANT TANK ASSY - OUTER
 CASE CODE: 18229 SIZE: E DWG. NO.: 80506 REV.: A



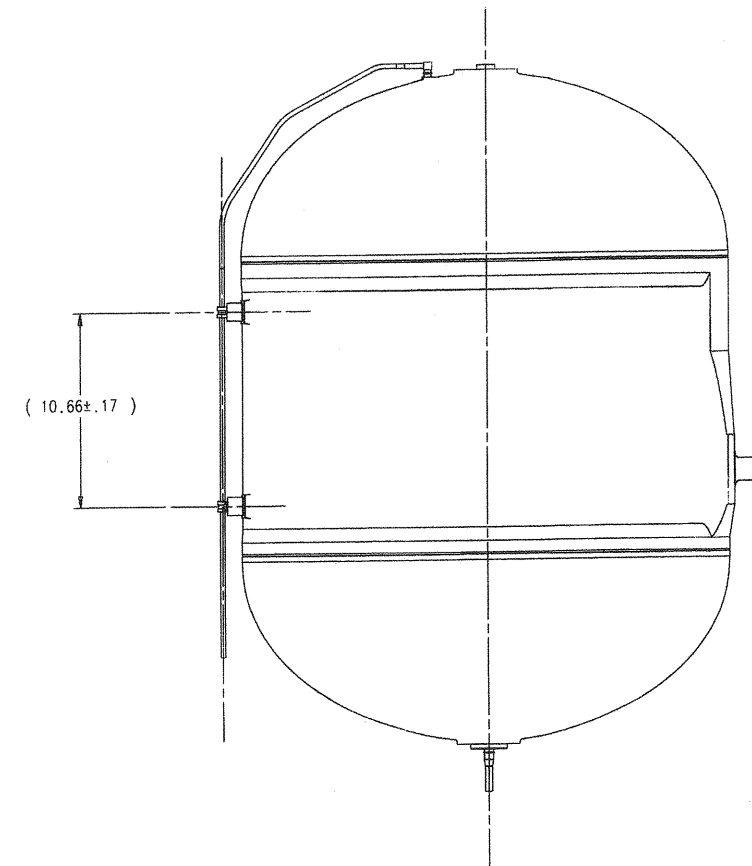
-4 ASSY SHOWN

-3 ASSY SIMILAR

EXCEPT PRESSURANT LINE SUPPORT BRACKET LOCATIONS AS INDICATED



-2 ASSY



-1 ASSY

ATK SPACE SYSTEMS, INC. LOS ANGELES, CALIFORNIA			
PROPELLANT TANK ASSY - OUTER			
CAGE CODE 18229	SIZE E	QWG NO. 80506	REV. -
SCALE: 1/4		SHEET	4 OF 4