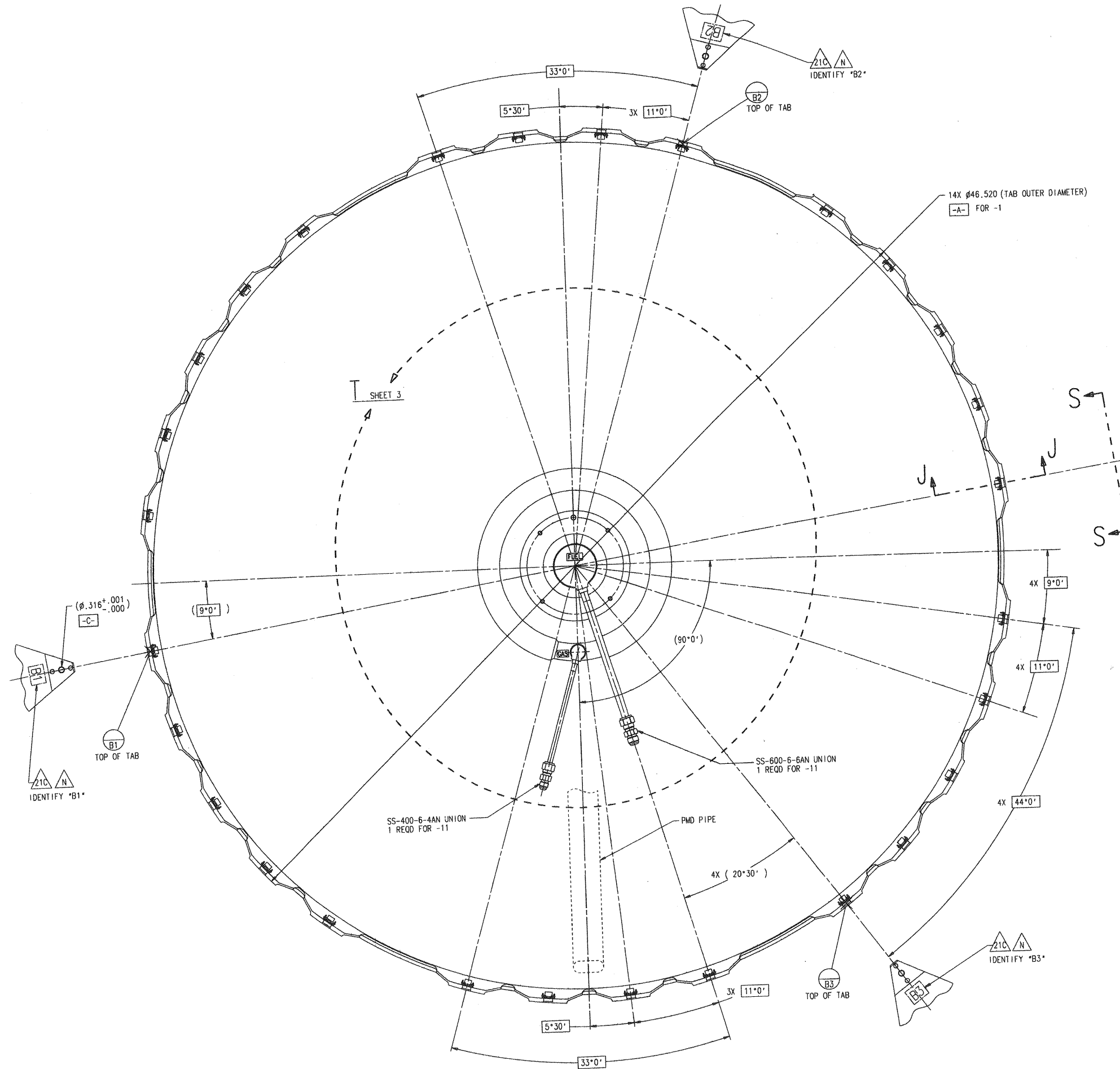


ATK SPACE SYSTEMS, INC.  
LOS ANGELES, CALIFORNIA

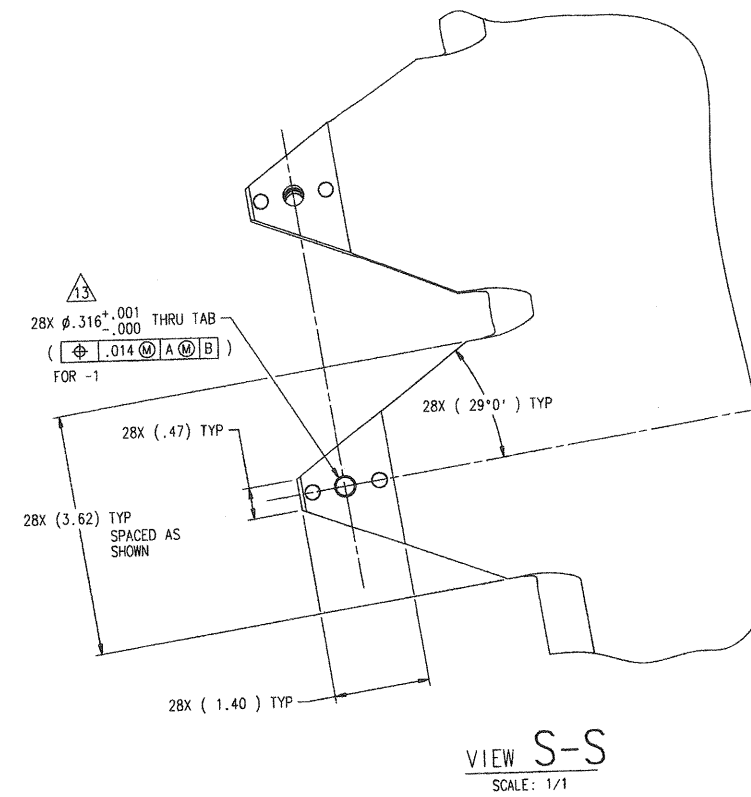
PROPELLANT TANK ASSY

| CASE CODE | SIZE | ENG. NO. | REV. |
|-----------|------|----------|------|
| 18229     | E    | 80520    | A    |

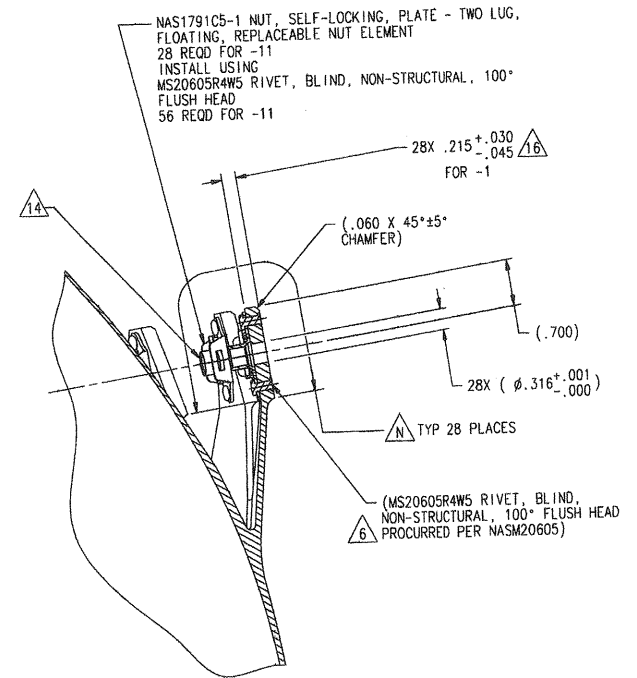
SCALE: 1/4" & NOTED SHEET 1 OF 3



VIEW H-H SHEET 1  
SCALE: 1/2

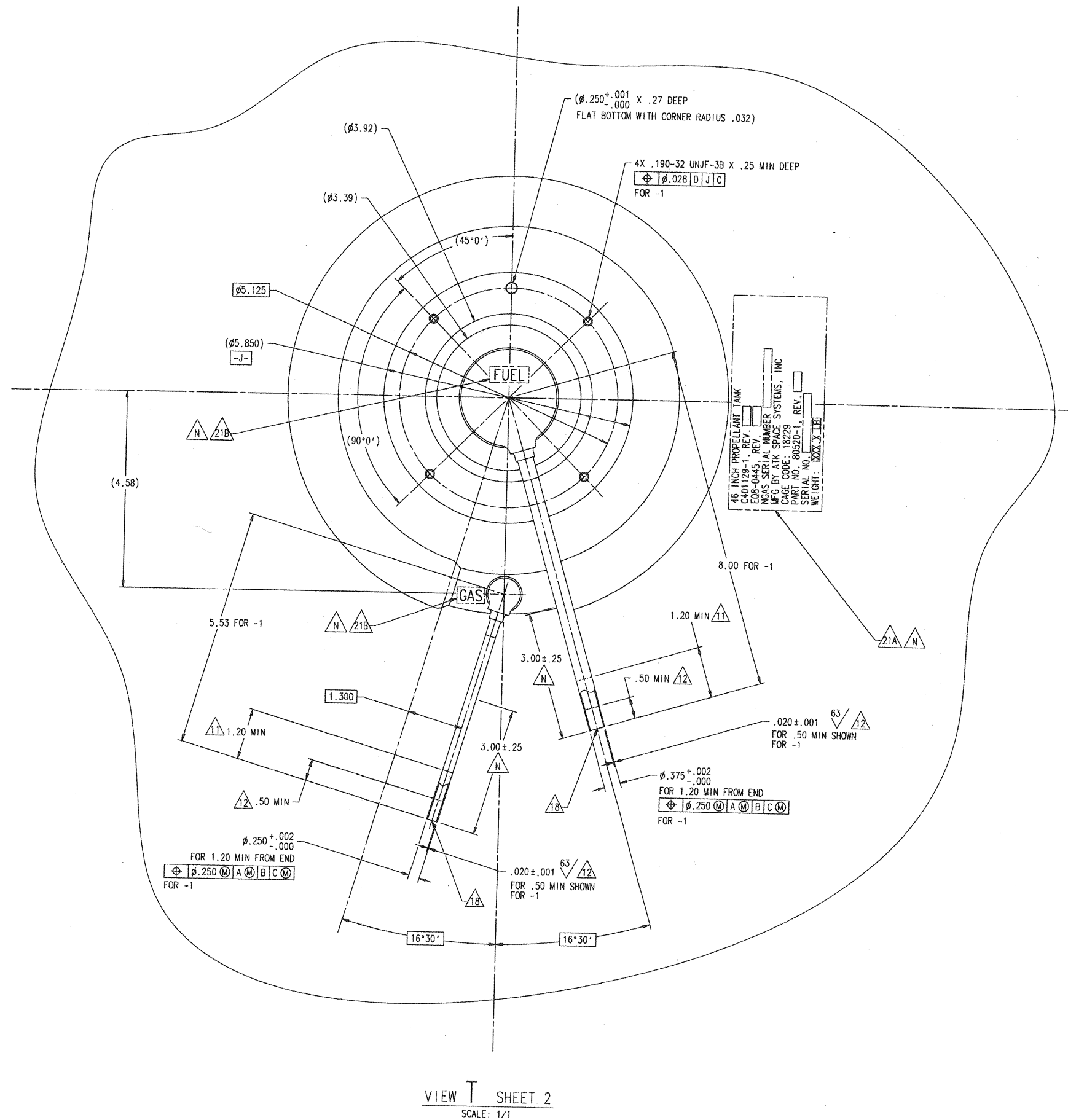


VIEW S-S  
SCALE: 1/1

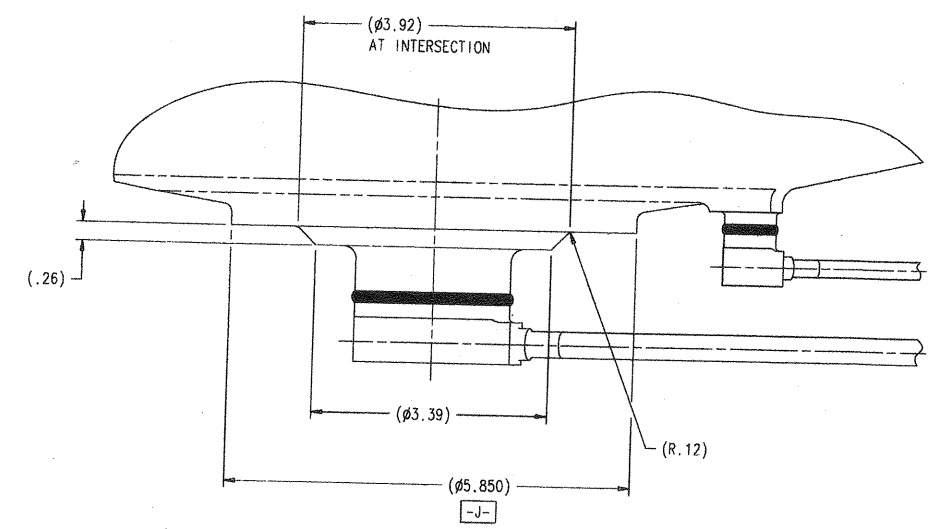


SECTION J-J  
SCALE: 1/1

|  |      |         |      |
|--|------|---------|------|
| ATK SPACE SYSTEMS, INC.<br>LOS ANGELES, CALIFORNIA |      |         |      |
| PROPELLANT TANK ASSY                               |      |         |      |
| DWG CODE   | SIZE | DWG NO. | REV. |
| 18229  | E    | 80520   | -    |
| SHEET  |      | 2 OF 3  |      |



VIEW T SHEET 2  
SCALE: 1/1



VIEW V SHEET 1  
SCALE: 1/1

ATK SPACE SYSTEMS, INC.  
LOS ANGELES, CALIFORNIA

PROPELLANT TANK ASSY

| CAGE CODE | SIZE | DWG NO. | REV. |
|-----------|------|---------|------|
| 18229     | E    | 80520   | -    |

SCALE: 1/1 SHEET 3 OF 3