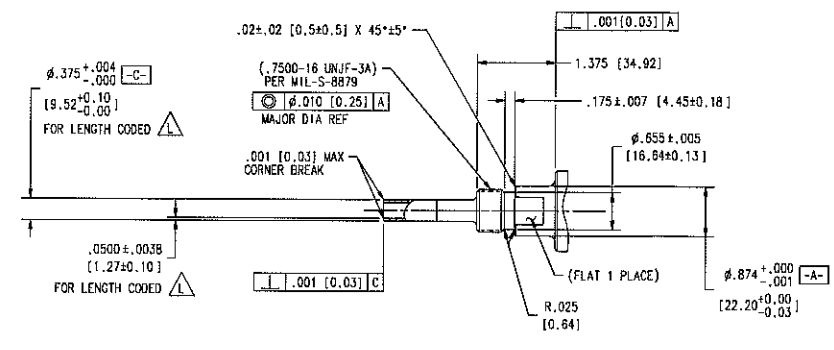
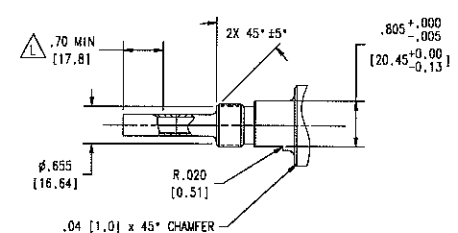
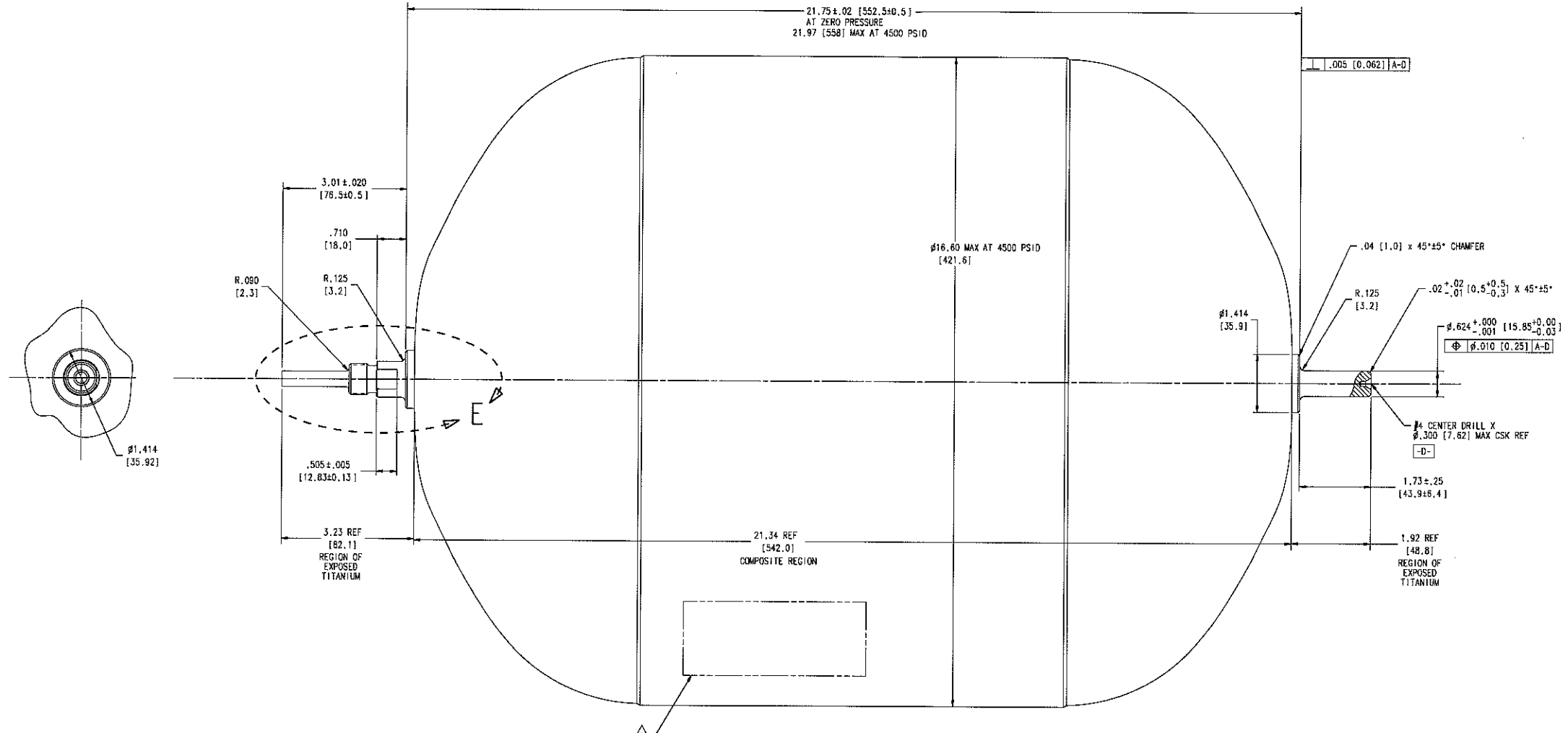


PROPRIETARY NOTICE: This material is the property of ATK SPACE SYSTEMS, INC. and contains technical information that is confidential and not to be disclosed to any third party, in whole or in part, except with the express written approval of ATK SPACE SYSTEMS, INC.

REVISIONS			
REV	DESCRIPTION	DATE	APPROVED
NC	SEE ERR XXXXX		



- NOTE: UNLESS OTHERWISE SPECIFIED
- THIS DRAWING IS NOT TO BE USED FOR FABRICATION OR INSPECTION.
  - DIMENSIONS SHOWN ARE IN INCH UNIT WITH THEIR METRIC CONVERSIONS IN MILLIMETERS REFERENCED IN BRACKETS. THE TOLERANCE BLOCK FOR UNSPECIFIED TOLERANCE IS AS FOLLOWS:  

.X	± .1	[2.5]
.XX	± .03	[0.8]
.XXX	± .010	[0.25]
  - TANK IS IDENTIFIED USING WHITE EPOXY BASED INK APPLIED BY RUBBER STAMPING, STENCILLING OR HAND LETTERING WITH .25 [6.4] HIGH CHARACTERS ON CENTER OF CYLINDRICAL REGION. IDENTIFICATION IS AS FOLLOWS:  
 TANK ASSY - PRESSURANT  
 CUSTOMER PART NUMBER: \_\_\_\_\_  
 MANUFACTURED ATK SPACE SYSTEMS,  
 PSI PART NUMBER: 80XXX-1 REV: \_\_\_\_\_  
 PSI SERIAL NUMBER: \_\_\_\_\_
  - METALLIC SURFACES OF TANK SHALL HAVE A SURFACE FINISH OF 63 [1.6] OR BETTER, EXCEPT AS SHOWN.
  - CAUTION: THE CARBON FIBER OVERWRAP IS HIGHLY SUSCEPTIBLE TO IMPACT DAMAGE. PROTECT SURFACE WHENEVER POSSIBLE, REPORT ALL KNOCKS, DINGS & SCRATCHES.
  - PERFORMANCE REQUIREMENTS ARE SPECIFIED IN CUSTOMER DOC. NO. XXXXXXX.
  - THE TANK HEADS ARE MADE FROM ANNEALED T1-CP-70 PER AMS-T-8047, AND TUBE MATERIAL IS 3AL-2.5V-T1 PER AMS 4943.

MANUFACTURING STANDARDS UNLESS OTHERWISE SPECIFIED		DRAIN	IN. L/IN	TO AN
TOLERANCES	FRACTIONS	DECIMALS	ANGLES	ROUNDS
.X ± .1	1/16	0.001	± 30°	0.0005
.XX ± 0.03	1/32	0.0005	± 15°	0.0002
.XXX ± 0.010	1/64	0.0002	± 5°	0.0001

1. ALL DIMENSIONS ARE IN INCHES	QUALITY	APPROVED
2. DO NOT SCALE DRAWING	RELIABILITY	APPROVED
3. BREAK SHARP CORNERS AND MAX	APPROVED	
4. INTERPRET PER MIL-STD-100	APPROVED	
5. PARAMETRIC DATA INC. FOR REF. ONLY	APPROVED	
6. HEAT TREAT	APPROVED	

ATK SPACE SYSTEMS, INC.		LOS ANGELES, CALIFORNIA
TANK ASSY - PRESSURANT INTERFACE CONTROL		
CASE ORG	SIZE	REV
18229	E	80XXX-1 ICD NC
SCALE: 1:1	SHEET	1 OF 1

**PROPRIETARY INFORMATION**

THE INFORMATION, IDENTIFICATION AND DRAWINGS IN THIS DOCUMENT ARE SUBMITTED IN CONFIDENCE. THE RECIPIENT OF IT HEREBY AGREES THAT THE INFORMATION CONTAINED HEREIN IS TO BE COPIED, REPRODUCED OR DISCLOSED IN PART OR AS A WHOLE WITHOUT WRITTEN AUTHORITY OF ATK SPACE SYSTEMS, INC. COMMERCIAL, CA.

**WARNING: INFORMATION SUBJECT TO EXPORT CONTROL LAWS**

THIS DOCUMENT CONTAINS INFORMATION SUBJECT TO THE INTERNATIONAL TRAFFIC IN ARMS REGULATIONS (ITAR) OR THE EXPORT ADMINISTRATION REGULATIONS (EAR). THE INFORMATION CONTAINED HEREIN MAY NOT BE EXPORTED, RELEASED, OR DISCLOSED TO ANY FOREIGN NATIONAL, INSIDE OR OUTSIDE THE UNITED STATES WITHOUT FIRST OBTAINING AN EXPORT LICENSE OR OTHER EXPORT APPROVAL AS REQUIRED BY THE ITAR OR THE EAR. RECIPIENT IS RESPONSIBLE FOR COMPLIANCE WITH THE ITAR OR THE EAR AND APPLYING FOR ANY REQUIRED LICENSE OR OTHER APPROVAL.

INCLUDE THIS NOTICE WITH ANY REPRODUCED PORTION OF THIS DOCUMENT.

CDL 1-XXXX